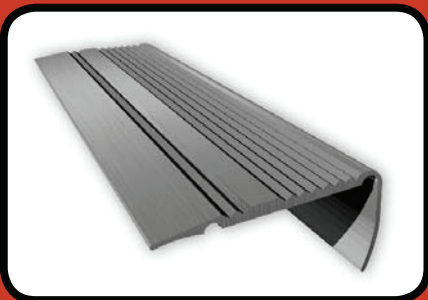
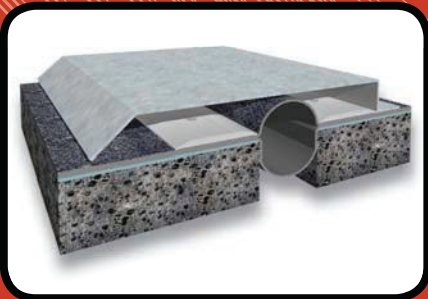


The
Complete
Joint System
Solution



X-Joint Building Expansion Joint Systems

Jan 2018



X-CALIBUR[®] STRUCTURAL SYSTEMS

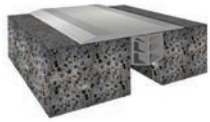
Selection Chart	3 - 6
Floor Joint Profiles	7 - 19
Tiles & Screed	20 - 24
Wall & Ceiling Profiles	25 - 31
Roof Profiles	32 - 34
ClipStrips	35
Joint Seals	36 - 38
Stair Nosings	39
Floor Skirting	40

Note to Architects and Interior Designers

We can supply all our profiles and insert in custom colours to match the interior design.



Floor Joint Profiles



X-Joint FHD-SF

Heavy duty joint covers for use in car parks, warehouses and ramps. Installed after completion of the final floor finish.

7



X-Joint FHD2-SF

Heavy duty expansion joint for use in car parks, warehouses and ramps. Lower profile than FHD-SF. Installed after completion of the final floor.

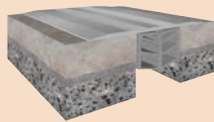
8



X-Joint FHD-BS

High load capacity flush fit expansion joints for use on industrial floors subject to slow moving traffic (cars, trucks, forklifts, trolleys etc). Installed beneath the screed.

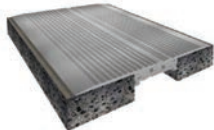
9



X-Joint FMD-SF

Medium duty joint covers for use in areas subject to heavy pedestrian and slow moving vehicular traffic. Installed after completion of the final floor finish.

10



X-Joint FMD2-SF

Medium duty expansion joints for use in areas subject to heavy pedestrian and slow moving vehicular traffic. Installed after completion of the final floor finish.

11



X-Joint FMD-BS

Medium load capacity flush fit expansion joint for floors in areas subject heavy pedestrian and slow moving cars. Installed beneath the screed.

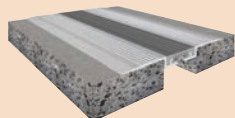
12



X-Joint FRA-BS

Water resistant expansion joints for heavy pedestrian and slow moving vehicular traffic. Installed beneath the screed.

13



X-Joint FRA-SF

Water resistant expansion joints for heavy pedestrian and slow moving vehicular traffic. Installed after completion of the final floor finish.

14



X-Joint FLP-2BS

Stainless steel finish expansion joints for use with high end floor finishes. Installed beneath screed.

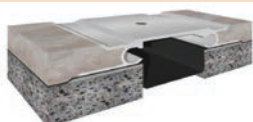
15



X-Joint CPS-F

High movement (seismic) expansion joint covers for use in car parks and areas subject to vehicular traffic. Installed after completion of the final floor finish.

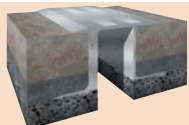
16



X-Joint CPS-R

High movement (seismic) expansion joint covers for use in car parks and areas subject to vehicular traffic. Installed beneath the screed.

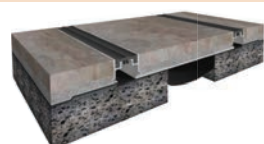
17



X-Joint FSJ-BS

Large movement seismic expansion joints for use in high end floor finishes with minimum effect of the appearance of the floor. Installed beneath the floor screed.

18



X-Joint FFJ-BS

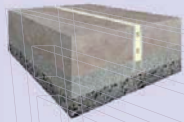
Large movement seismic expansion joints for use with thin floor finishes, such as tile, vinyl or carpet, with minimum effect of the appearance of the floor. Installed beneath the floor screed.

19

Profile Name

Page

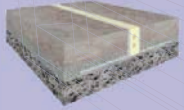
Tile & Screed



X-Joint CJ1

Anodized aluminum neoprene construction joint for use with tiles and stone. Installed when floor finish is being laid.

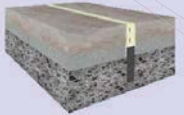
20



X-Joint CJ2

Anodized aluminum neoprene construction joint for use with tiles and stone. Installed beneath the screed.

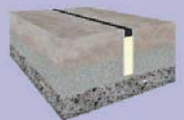
21



X-Joint CJ3

Stainless steel neoprene construction joint for use with tiles and stone. Installed when floor finish is being laid.

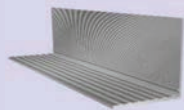
22



X-Joint CJ4

Anodized aluminum polyurethane/polyethylene construction joint for use with tiles and stone. Accepts higher movement than neoprene. Installed when floor finish is being laid.

23

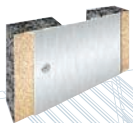


X-Joint AJS

Extruded anodized aluminium joint separators for screed and floor finishes.

24

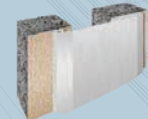
Wall & Ceiling Profiles



X-Joint SWJ1

Extruded anodized joint covers used to cover exterior and interior joints on finished walls and ceilings.

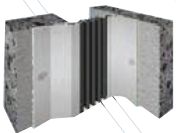
25



X-Joint CWJ1

Extruded anodized joint covers used to cover exterior and interior joints on finished walls and ceilings, with no visible fixings.

26



X-Joint SWJ2

High movement capacity anodized aluminum/PVC weather seal expansion joint for use in walls and ceilings in internal and external applications.

27



X-Joint CWJ2

Anodised aluminum expansion joint with integrated weather seal for use in wall and ceilings. Installed beneath the plaster or wall board to provide a flush finish with no visible fixings.

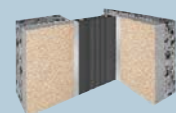
28



X-Joint SWJ3

Anodised aluminum expansion joint with integrated weather seal for use in wall and ceilings. Fixed directly on to the finished wall surface.

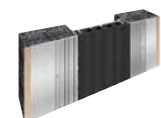
29



X-Joint CWJ3

Anodised aluminum/PVC floor expansion joint with visible weather seal for interior joints on walls and ceilings. Installed beneath the plaster or wall board to provide a flush finish with no visible fixings.

30



X-Joint SWJ4

Anodised aluminum/PVC floor expansion joint with visible weather seal for interior joints on walls and ceilings. Fixed directly on to the finished wall surface.

31

Profile Name

Page

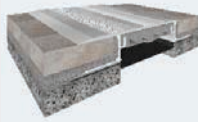
Roof Profiles



X-Joint RJ1

Anodized aluminium fully waterproof joint system that is used on roofs that will be subject to pedestrian traffic. It is used in joints widths of 15mm to 100mm.

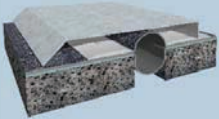
32



X-Joint RJ2

High movement (seismic) anodised aluminium/PVC wall joint for use with a wall finish up to 16mm thick. Joint must be fixed on to a concrete or masonry substrate.

33



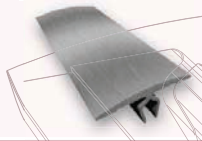
X-Joint RJ3

High movement (seismic) anodised aluminium/PVC wall joint for use with a wall finish up to 16mm thick. Joint must be fixed on to a concrete or masonry substrate.

34

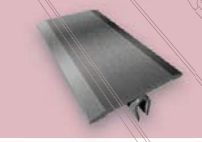
ClipStrips

35



X-Joint ClipStrip F45C & F55C

Extruded aluminum joint covers that are suitable for use in a wide range of internal and external applications.



X-Joint ClipStrip F55F, F70F & F100F

Extruded aluminum joint covers that are suitable for use in a wide range of internal and external applications.



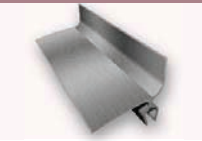
X-Joint ClipStrip W70C & W100C

Extruded aluminum joint covers that are suitable for use in a wide range of internal and external applications.



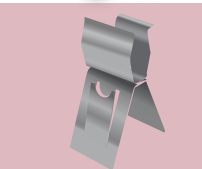
X-Joint ClipStrip W55G

Extruded aluminum joint covers that are suitable for use in a wide range of internal and external applications.



X-Joint ClipStrip C50 & C100

Extruded aluminum joint covers that are suitable for use in a wide range of internal and external applications.



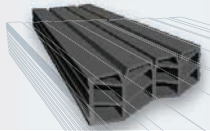
Spring Clips SS40 & SS60

For fixing X-Joint Clip Strip series

Profile Name

Page

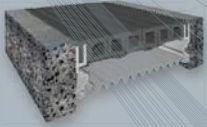
Joint Seals



X-Joint EPS

Pre-formed waterproofing expansion joint seals for use in mechanical expansion joints.

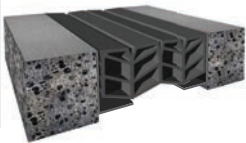
36



X-Joint EPS HM

High movement (seismic) waterproofing expansion joints for use in vertical and horizontal applications such as walls and slabs.

37



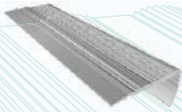
X-Joint EPS HD

High movement (seismic) waterproofing expansion joints to be used behind joint cover plates

38

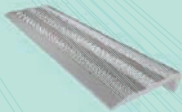
Stair Nosing

39



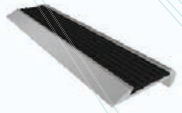
X-Joint SN 45 AA1

Extruded Anodized aluminium stair nosings.



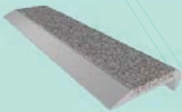
X-Joint SN 45 AA2

Extruded Anodized aluminium stair nosings.



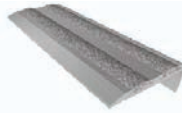
X-Joint SN 45 RS

Extruded Anodized aluminium stair nosings.



X-Joint SN 45 Carbo™1

Extruded Anodized aluminium stair nosings.



X-Joint SN 45 Carbo™2

Extruded Anodized aluminium stair nosings.

Floor Skirting

40



X-Joint Skirting

Anodized aluminium floor skirting

Note to Architects and Interior Designers

We can supply all our profiles and inserts in custom colours to match the interior design.



Description

Heavy duty joint covers for use in car parks, warehouses and ramps.

Installed after completion of the final floor finish. EPS System is optional.

Materials

Anodized aluminium 6063/T6.

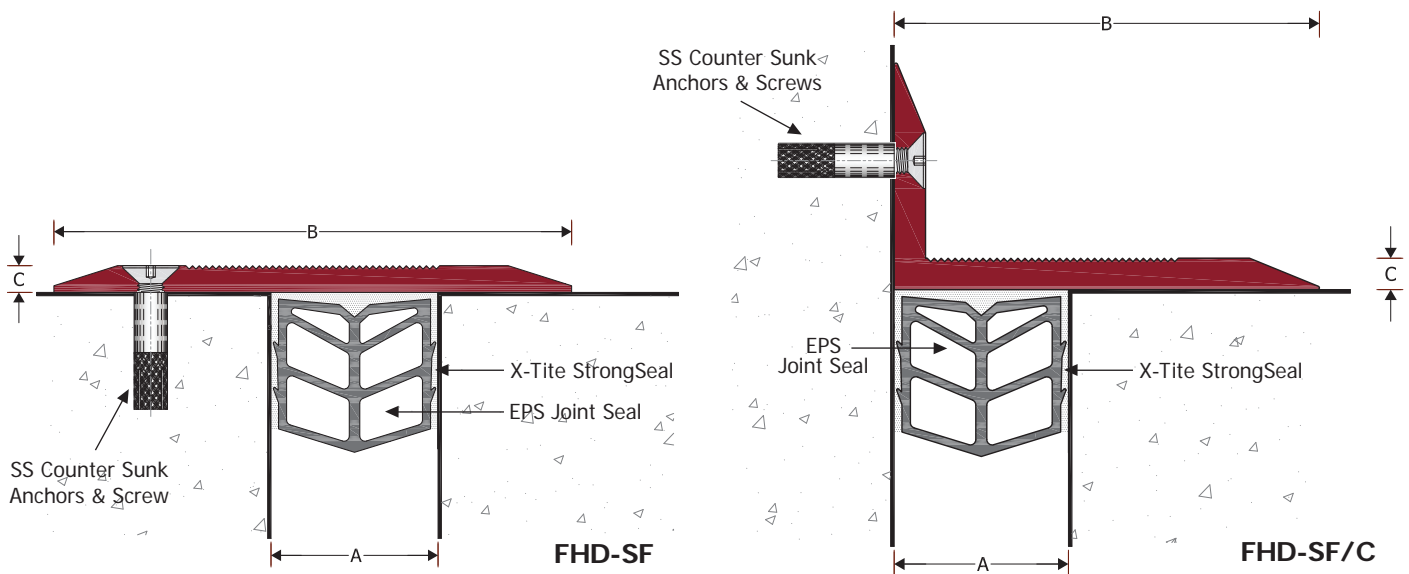
Can also be supplied in mill finish aluminium.

Supply Lengths

4m, custom lengths can be produced in order to minimize wastage.

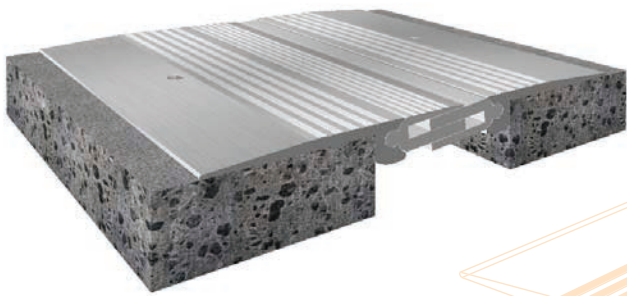
EPS Joint Seal: 20m roll

Supplied with stainless steel anchors and screws.



Type	A	B	C
Flat Profile			
FHD-SF 110/40	5 to 40	110	6
FHD-SF 155/70	41 to 65	155	8
FHD-SF 185/100	66 to 100	185	9
FHD-SF 260/150	101 to 150	260	9.5
FHD-SF 325/200	151 to 200	325	12
Corner Profile			
FHD-SF/C 110/40	5 to 40	64	6
FHD-SF/C 155/70	41 to 70	122	9
FHD-SF/C 185/100	71 to 100	122	9

Dimensions in mm



Description

Heavy duty expansion joint for use in car parks, warehouses and ramps.

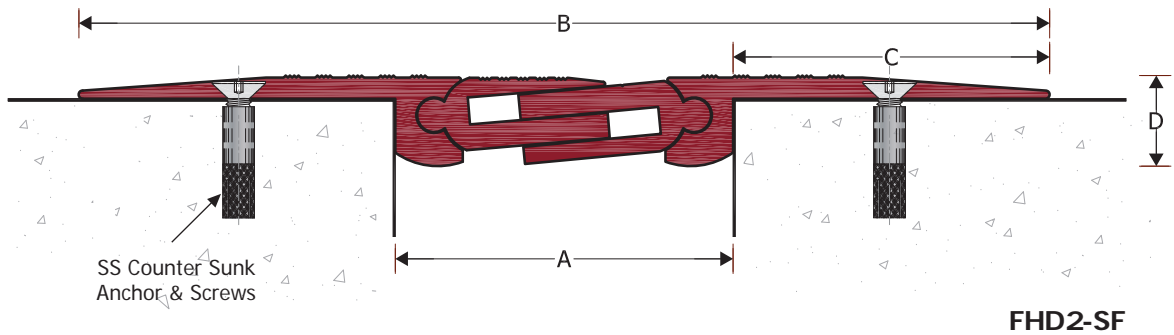
Installed after completion of the final floor finish.

Materials

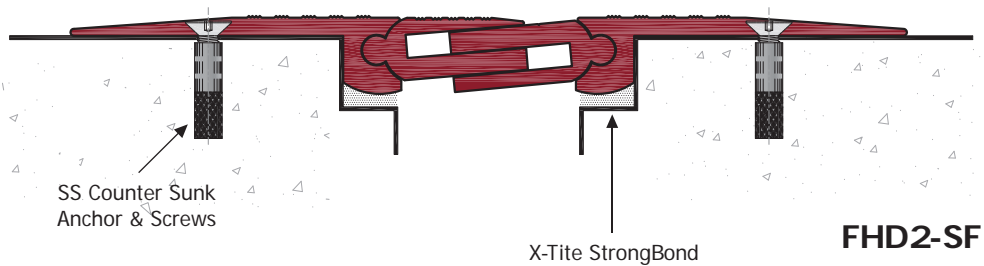
Anodized aluminium 6063/T6.

Supply Lengths

4m, custom lengths can be produced against minimum order.

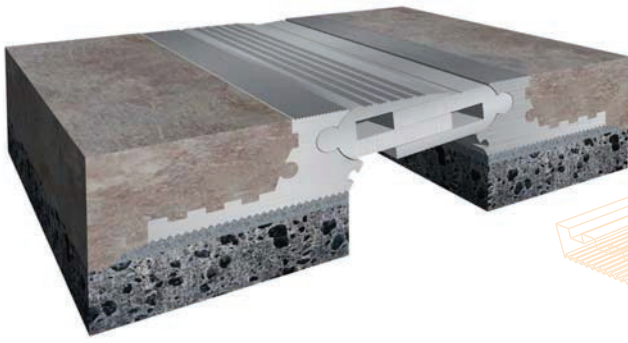


FHD2-SF profiles have the same load capacity as FHD-BS series provided that, they are installed as shown in the drawing below.



Type	A	B	C	D	Total Movement
Flat Profile					
FHD2-SF 50	50	200	75	21	32
FHD2-SF 100	100	250	75	21	55
FHD2-SF 125	125	268	72	23	55
FHD2-SF 150	150	308	79	27	72

Dimensions in mm



Description

High load capacity flush fit expansion joint for use on industrial floors subject to slow moving traffic (cars, trucks, forklifts, trolleys etc).

Installed beneath the screed.

Materials

Anodized aluminium 6063/T6.

Supply Lengths

4m, custom lengths can be produced against minimum order.

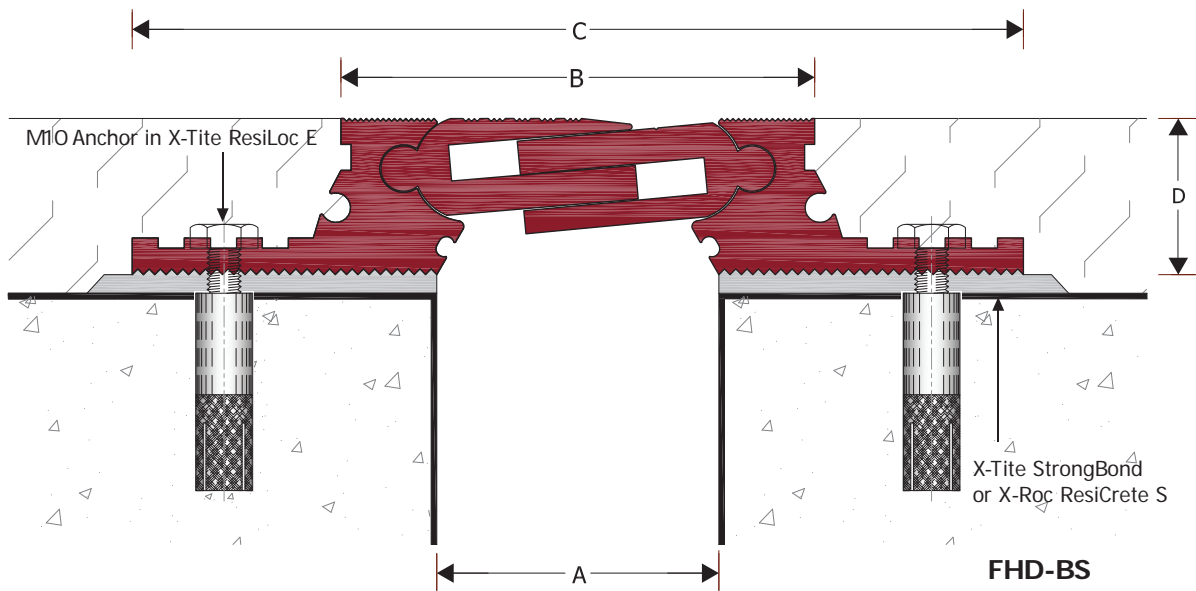
Load Capacity

Maximum Axle Load:

FHD-BS 50: 6 tons

FHD-BS 75: 5 tons

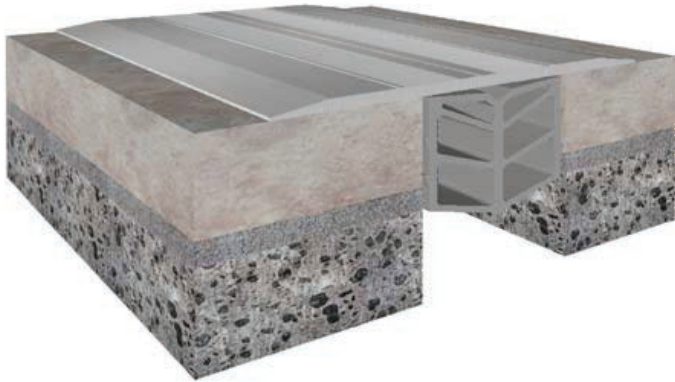
FHD-BS 100: 4 tons



Type	A	B	C	D*	Total Movement
Flat Profile					
FHD-BS 50	50	84	158	28	30
FHD-BS 75	75	119	195	30	40
FHD-BS 100	100	144	232	30	50

*Profile height "D" can be increased using X-Roc ResiCrete S or X-Tite Strong Bond.

Dimensions in mm



Description

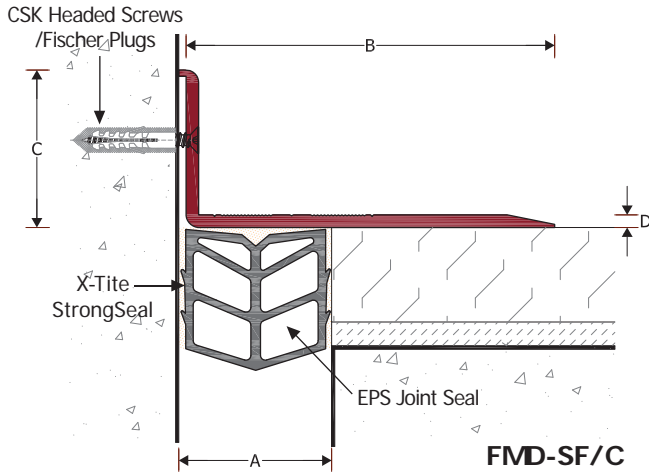
Extruded aluminum joint covers for Floors in areas with heavy pedestrian traffic.

Materials

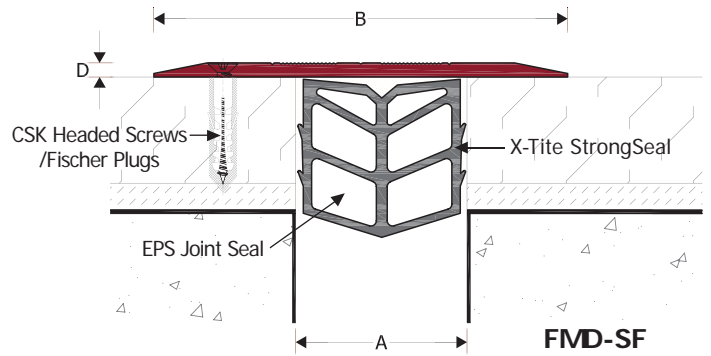
Anodized aluminium 6063/T6.
Can also be supplied in mill finish aluminium.
Joint Seals: PVC

Supply Lengths

Profile: 4m
Joint Seals: 20m roll
Custom lengths can be produced against minimum order.



FMD-SF/C



FMD-SF

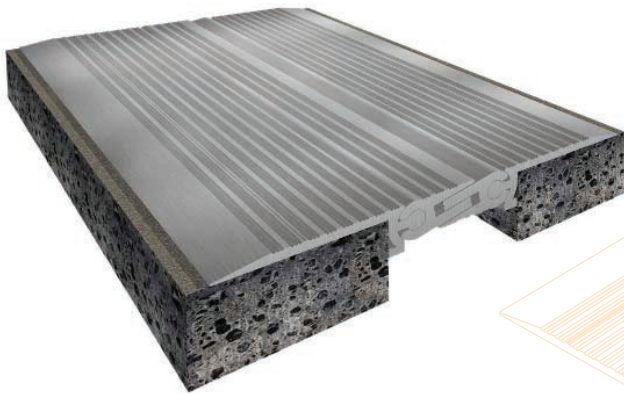
Type	A	B	C	D	Total Movement*
Flat Profile					
FMD-SF 50	50	117	-	5	67
FMD-SF 75	75	170	-	5	120
FMD-SF 100	100	170	-	5	120
FMD-SF 125	125	260	-	6	170
FMD-SF 150	150	260	-	6	170

Corner Profile

FMD-SF/C 50	50	64	50	4	67
FMD-SF/C 75	75	120	50	4	120
FMD-SF/C 100	100	120	50	4	120
FMD-SF/C 100	100	170	50	4	170
FMD-SF/C 125	125	170	50	4	170
FMD-SF/C 150	150	205	50	6	170

*Movements depend on the cover plate width

Dimensions in mm



Description

Medium duty expansion joint for use in areas subject to heavy pedestrian and slow moving vehicular traffic.

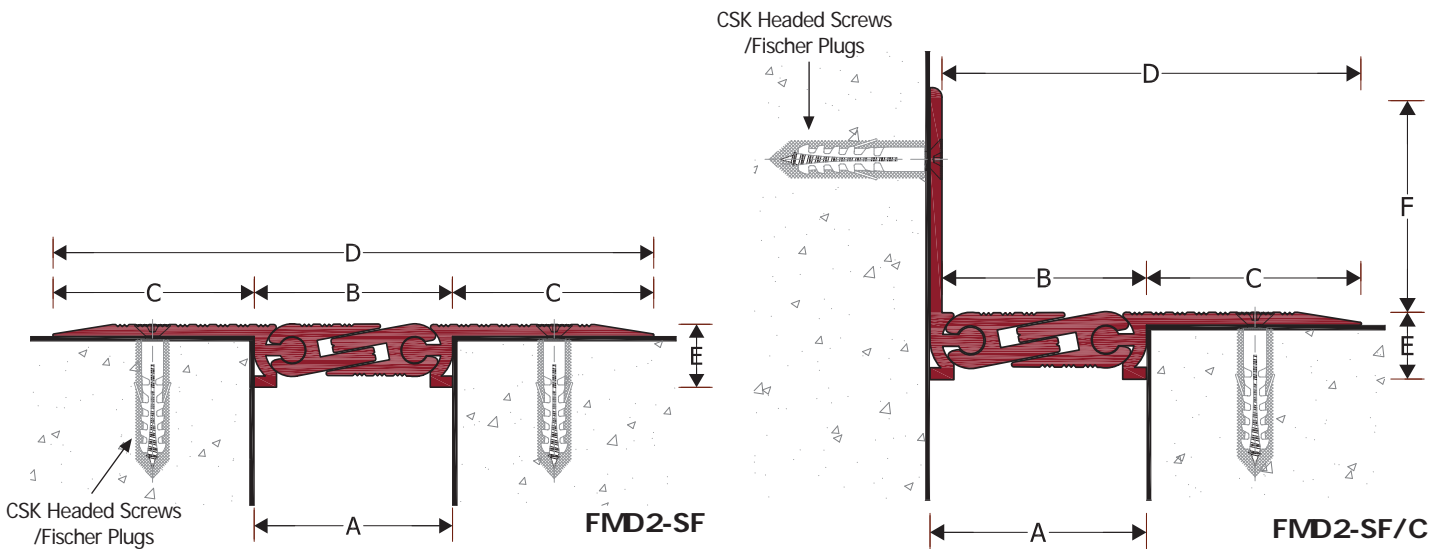
Installed after completion of the final floor finish.

Materials

Anodized aluminium 6063/T6
Can also be supplied in mill finish aluminium.

Supply Lengths

4m, custom lengths can be produced against minimum order.



Type	A	B	C	D	E	F	Total Movement
Flat Profile							
FMD2-SF 45	45	45	45	135	14	-	13
FMD2-SF 60	60	60	45	150	14	-	16
FMD2-SF 100	100	100	56	212	16	-	40
FMD2-SF 150	150	150	56	262	16	-	80
Corner Profile							
FMD2-SF/C 45	45	43	45	88	14	47	13
FMD2-SF/C 60	60	58	45	103	14	47	16
FMD2-SF/C 100	100	97	56	153	16	44	40
FMD2-SF/C 150	150	147	56	203	16	44	80

Dimensions in mm



Description

Medium load capacity flush fit expansion joint for floors in areas subject to heavy pedestrian and slow moving cars.

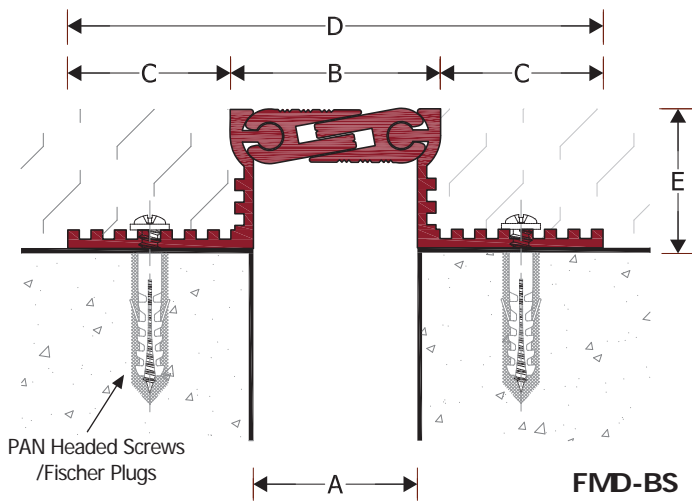
Installed beneath the screed.

Materials

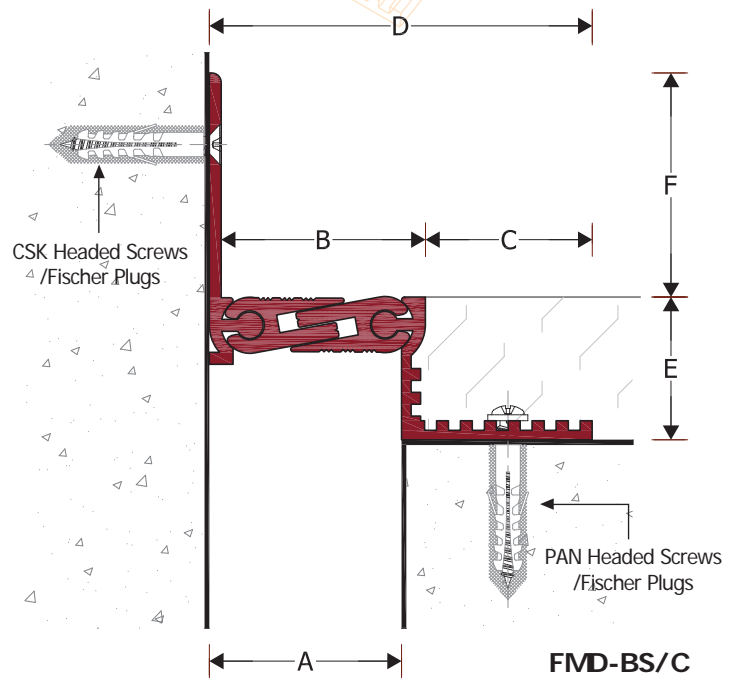
Anodized aluminium 6063/T6
Can also be supplied in mill finish aluminium.

Supply Lengths

4m, custom lengths can be produced against minimum order.



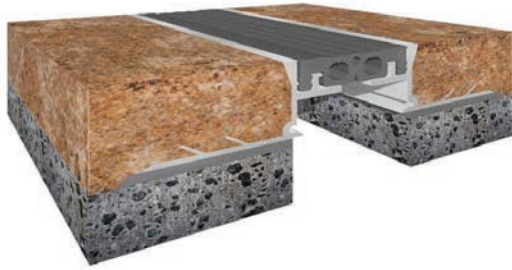
FMD-BS



FMD-BS/C

Type	A	B	C	D	E	F	Total Movement
Flat Profile							
FMD-BS 35	35	45	35	115	16/30	-	13
FMD-BS 50	50	60	35	130	16/30	-	16
FMD-BS 100	100	114	48	210	17/30	-	40
FMD-BS 150	150	164	48	260	17/30	-	80
Corner Profile							
FMD-BS/C 40	40	42	35	77	16/30	47	13
FMD-BS/C 50	50	52	35	87	16/30	47	16
FMD-BS/C 100	100	104	48	152	17/30	44	40
FMD-BS/C 150	150	154	48	202	17/30	44	80

Dimensions in mm



Description

Extruded expansion joint for heavy pedestrian.

Installed beneath the screed.

Materials

Anodized aluminium 6063/T6.
PVC Joint Seal

Supply Lengths

Aluminium Profile: 4m
Joint Seal: 20m rolls
Custom lengths can be produced against minimum order.

PVC Joint Seal Colour



Black

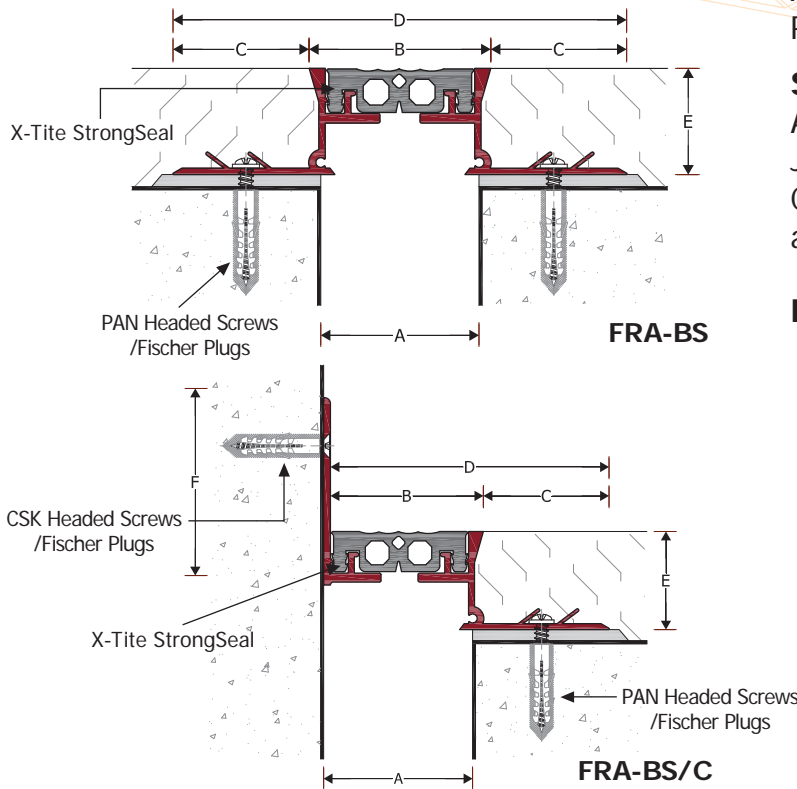


Beige



Grey

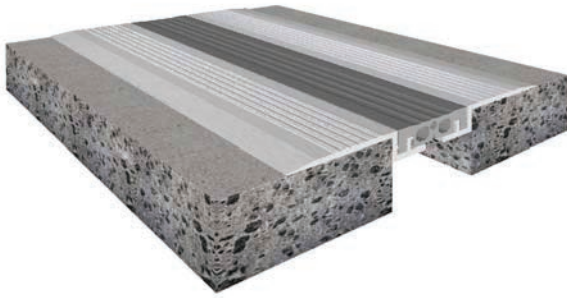
(Other colors available subject to 500m minimum order)



Type	A	B	C	D	E*	F	Total Movement
Flat Profile							
FRA-BS 20	20	25	38	101	47/72	-	12
FRA-BS 30	30	35	45	125	31/97	-	20
FRA-BS 50	50	60	42	144	33	-	30
FRA-BS 75	75	85	55	194	35	-	36
FRA-BS 100	100	115	55	225	33	-	34
FRA-BS 125	125	140	54	248	33	-	64
FRA-BS 150	150	165	54	273	33	-	90
Corner Profile							
FRA-BS/C 20	20	22	38	60	47/72	37	12
FRA-BS/C 30	30	32	45	77	31/97	63	20
FRA-BS/C 50	50	55	42	97	33	63	30
FRA-BS/C 75	75	80	55	135	35	68	36
FRA-BS/C 100	100	107	55	162	33	83	34
FRA-BS/C 125	125	132	54	186	33	83	64
FRA-BS/C 150	150	157	54	211	33	83	90

*Other heights are available upon request

Dimensions in mm



Description

Extruded expansion joint for heavy pedestrian and slow moving vehicular traffic.

Installed after completion of the final floor finish.

Materials

Anodized aluminium 6063/T6.
PVC Joint Seals

Supply Lengths

Aluminium Profile: 4m
Joint Seals: 20m rolls
Custom lengths can be produced against minimum order.

PVC Joint Seal Colour



Black

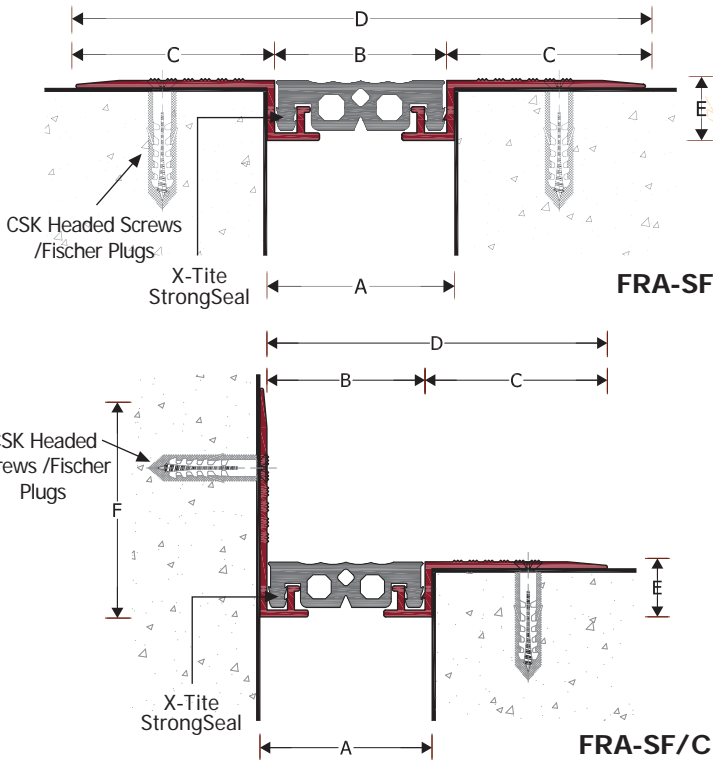


Beige



Grey

(Other colors available subject to 500m minimum order)



Type	A	B	C	D	E	F	Total Movement
Flat Profile							
FRA-SF 30	30	25	43	112	16	-	20
FRA-SF 50	50	45	55	156	17	-	30
FRA-SF 75	75	69	58	185	30	-	36
FRA-SF 100	100	92	65	222	33	-	34
FRA-SF 125	125	115	75	265	33	-	64
FRA-SF 150	150	140	75	290	33	-	90
Corner Profile							
FRA-SF/C 30	30	26	43	69	16	63	20
FRA-SF/C 50	50	46	55	101	17	63	30
FRA-SF/C 75	75	65	58	123	30	68	36
FRA-SF/C 100	100	96	65	161	33	83	34
FRA-SF/C 125	125	116	75	191	33	83	64
FRA-SF/C 150	150	141	75	216	33	83	90

Dimensions in mm

Description

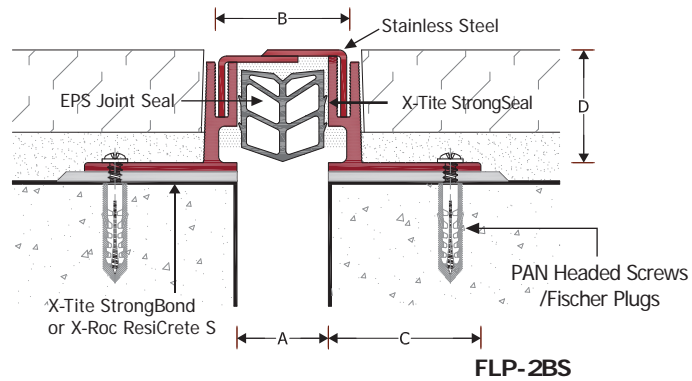
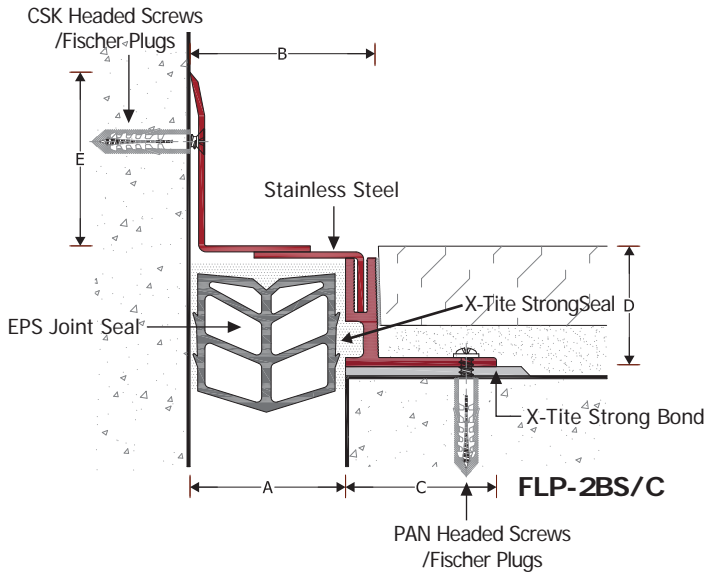
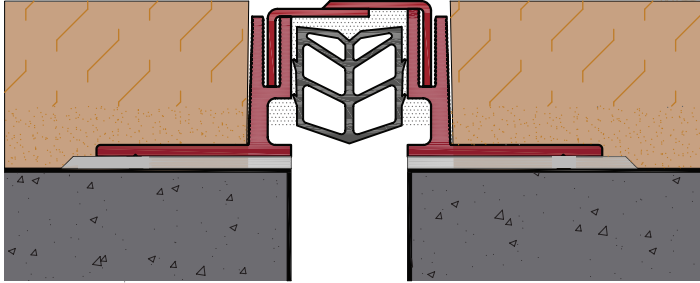
Stainless steel finish expansion joint for use with high end floor finishes. Installed beneath the screed.

Materials

Bases: Anodized aluminium 6063/T6
 Cover plates: Stainless Steel (non slip) 304 or 316.
 Joint Seals: PVC / EPDM

Supply Lengths

Aluminium Profile: 4m
 Stainless Steel Profile: 2.44m
 Joint Seals: 20m roll
 Custom lengths can be produced against minimum order.



Type	A	B	C	D	E	Total Movement
Flat Profile						
FLP-2BS 30	30	40	61	38	-	20
FLP-2BS 50	50	60	61	38	-	35
FLP-2BS 75	75	85	61	38	-	50
FLP-2BS 100	100	110	61	38	-	60
FLP-2BS 125	125	135	61	38	-	80
FLP-2BS 150	150	160	61	38	-	100
Corner Profile						
FLP-2BS/C 30	30	30	61	36	60	20
FLP-2BS/C 50	50	50	61	36	60	35
FLP-2BS/C 75	75	75	61	36	60	50
FLP-2BS/C 100	100	100	61	36	60	60
FLP-2BS/C 125	125	120	61	36	60	80
FLP-2BS/C 150	150	150	61	36	60	100

Dimensions in mm



Description

High movement (seismic) expansion joint covers for use in car parks and areas subject to vehicular traffic.

Installed after completion of the final floor finish.

Materials

Bases: Anodized aluminium 6063/T6

Cover plates: Anodized aluminium 6063/T6
Stainless steel (non slip) 304 or 316

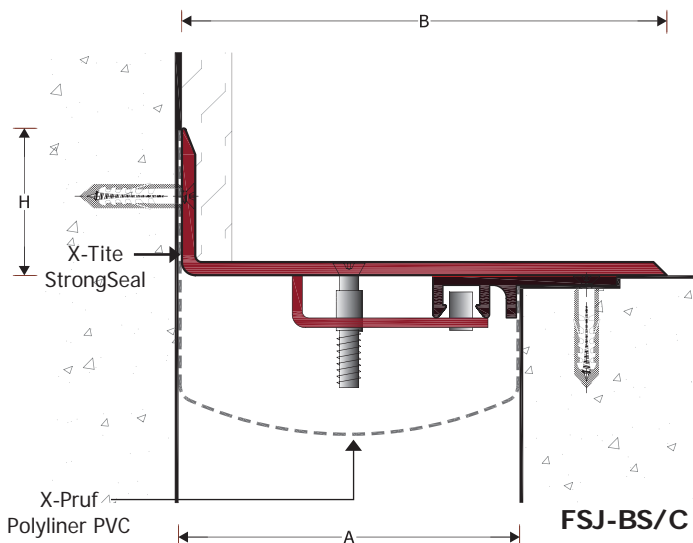
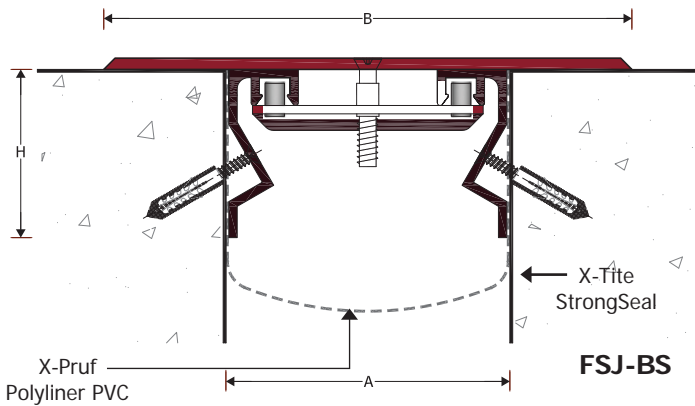
Supply Lengths

Bases: 4m

Cover Plates: Aluminium: 4m

Stainless Steel: 2.4m

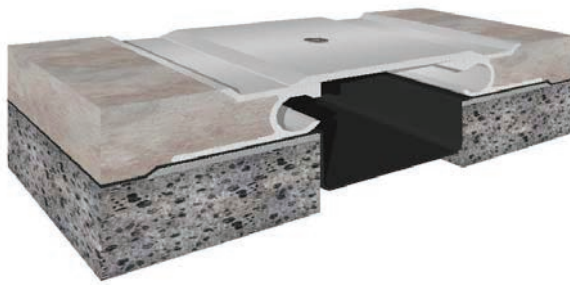
Custom lengths can be produced against minimum order.



Type	A	B	H	Plate Thickness	Movement
Flat Profile					
CPS-F 75	75	175	60	3	± 37
CPS-F 100	100	190	60	3	± 50
CPS-F 125	125	225	60	4	± 62
CPS-F 150	150	250	60	4	± 75
CPS-F 200	200	300	60	6	± 100
CPS-F 250	250	375	60	6	± 125
CPS-F 300	300	450	60	9	± 150
CPS-F 350	350	525	60	9	± 175
CPS-F 400	400	600	60	12	± 200
CPS-F 450	450	675	60	12	± 225
CPS-F 500	500	750	60	12	± 225

Type	A	B	H	Plate Thickness	Movement
Corner Profile					
CPS-F/C 75	75	125	40	4	± 18
CPS-F/C 100	100	145	40	4	± 25
CPS-F/C 125	125	175	40	6	± 31
CPS-F/C 150	150	211	40	6	± 37
CPS-F/C 200	200	250	40	8	± 50
CPS-F/C 250	250	312	40	8	± 62
CPS-F/C 300	300	375	40	10	± 75
CPS-F/C 350	350	437	40	10	± 87
CPS-F/C 400	400	500	40	12	± 100
CPS-F/C 450	450	562	40	12	± 115
CPS-F/C 500	500	625	40	12	± 125

Dimensions in mm



Description

High movement (seismic) expansion joint covers for use in car parks and areas subject to vehicular traffic.

Installed beneath the screed.

Materials

Bases: Anodized aluminium 6063/T6

Cover plates: Anodized aluminium 6063/T6

Stainless steel (non slip) 304 or 316

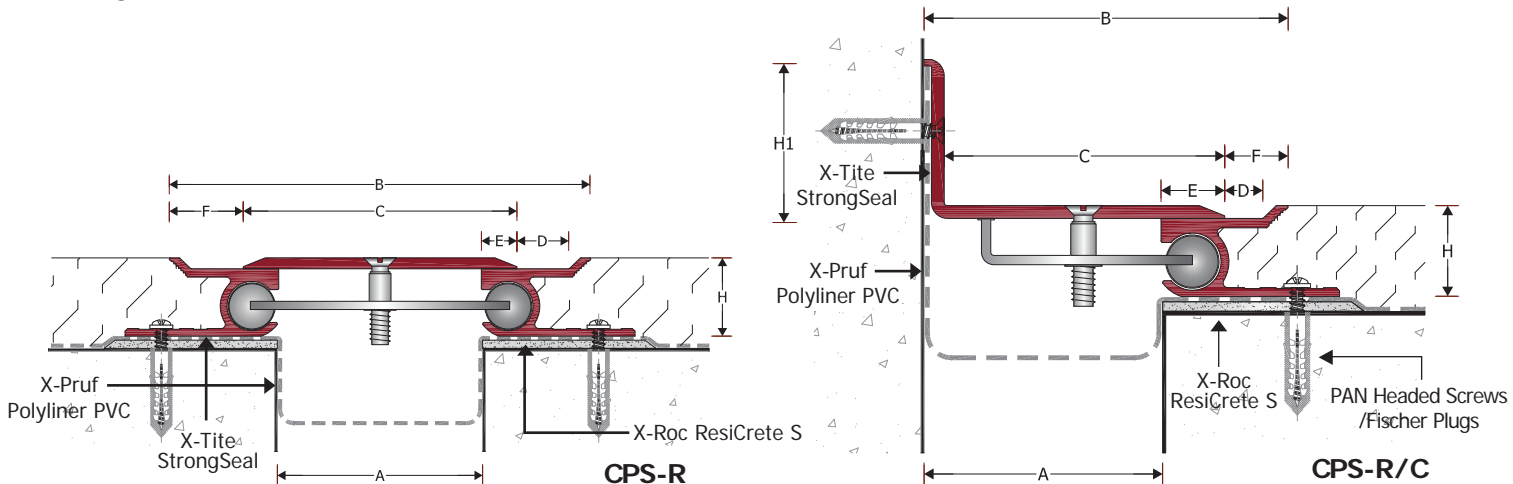
Supply Lengths

Bases: 4m

Cover plates: Aluminium: 4m

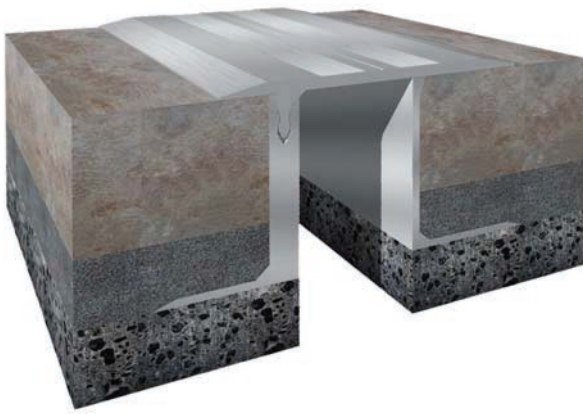
Stainless steel: 2.4m

Custom lengths can be produced against minimum order.



Type	A	B	C	D*	E*	F*	H	H1	Plate Thickness	Movement
Flat Profile										
CPS-R 50	50	129	80	16	15	24	29		3	± 37
CPS-R 75	75	154	100	19	13	27	29		3	± 50
CPS-R 100	100	179	150	6	25	14	29		4	± 62
CPS-R 125	125	204	170	9	23	17	29		4	± 75
CPS-R 150	150	229	200	6	25	14	29		6	± 100
CPS-R 175	175	254	225	6	25	14	29		6	± 125
CPS-R 200	200	279	250	6	25	27	29		9	± 150
Corner Profile										
CPS-R/C 50	50	90	65	17	15	25	2	30	3	± 32
CPS-R/C 75	75	115	88	19	11	27	29	30	3	± 30
CPS-R/C 100	100	140	125	7	25	15	29	30	3	± 32
CPS-R/C 125	125	165	148	9	23	17	29	30	3	± 32
CPS-R/C 150	150	190	175	7	25	15	29	30	3	± 32
CPS-R/C 175	175	215	200	7	25	15	29	30	3	± 32
CPS-R/C 200	200	240	225	7	25	15	2	30	3	± 32

Dimensions in mm



Description

Large movement seismic floor joint covers with a concealed fixing system that eliminates the use of screws.

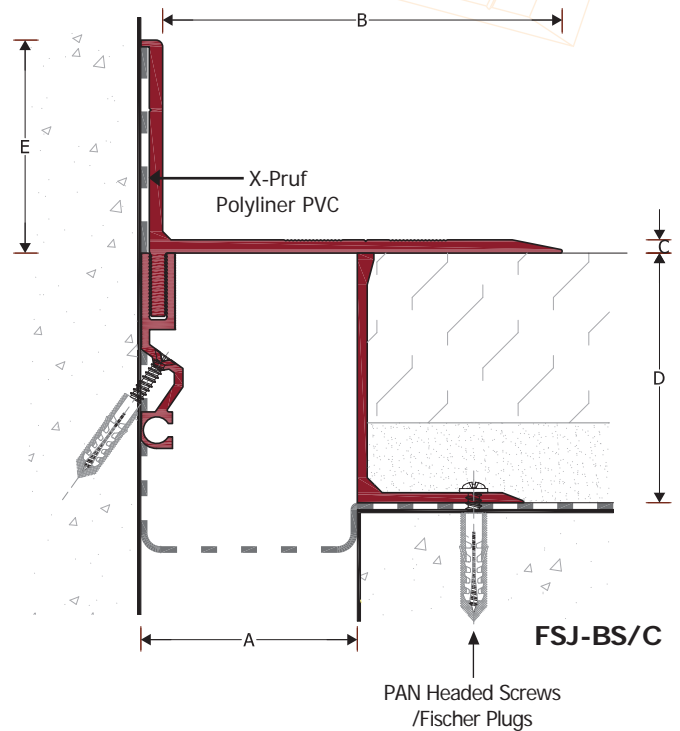
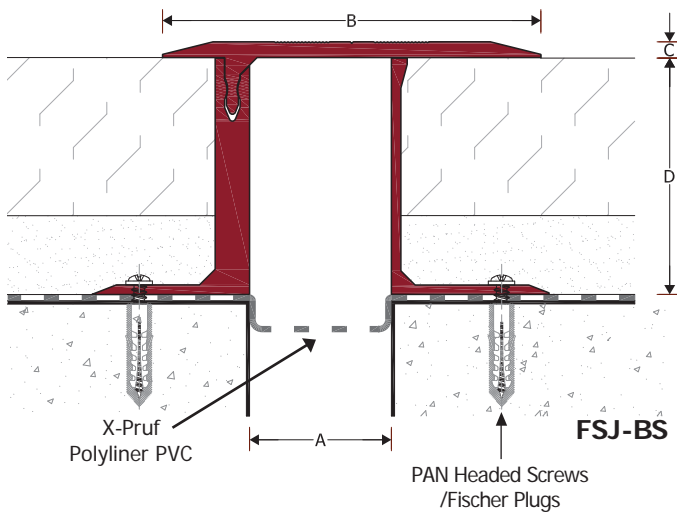
Installed beneath the screed.

Materials

Anodized aluminium 6063/T6

Supply Lengths

4m, custom lengths can be produced against minimum order.



Type	A*	B	C	D	E	Total Movement
Flat Profile						
FSJ-BS 50	50	120	5	75	-	85
FSJ-BS 100	100	170	5	75	-	135
FSJ-BS 125	125	220	5	75	-	185
FSJ-BS 150	150	220	5	75	-	185
Corner Profile						
FSJ-BS/C 75	75	120	4	75	60	90
FSJ-BS/C 100	100	170	4	75	60	140
FSJ-BS/C 150	150	220	4	75	60	195

*Maximum Dimension

Dimensions in mm



Description

Large movement seismic expansion joint for use with thin floor finishes, such as tile, vinyl or carpet, with minimum effect of the appearance of the floor.

Installed beneath the floor screed.

Materials

Bases: Anodized aluminium 6063/T6
PVC Joint Seals.

PVC Joint Seal Colour



Black



Beige



Grey

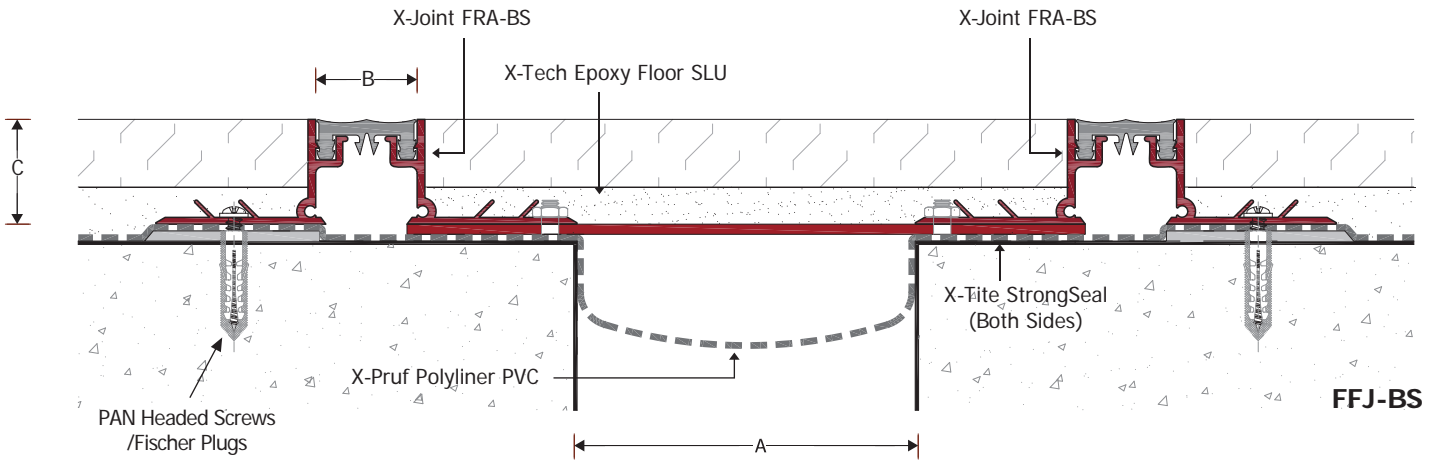
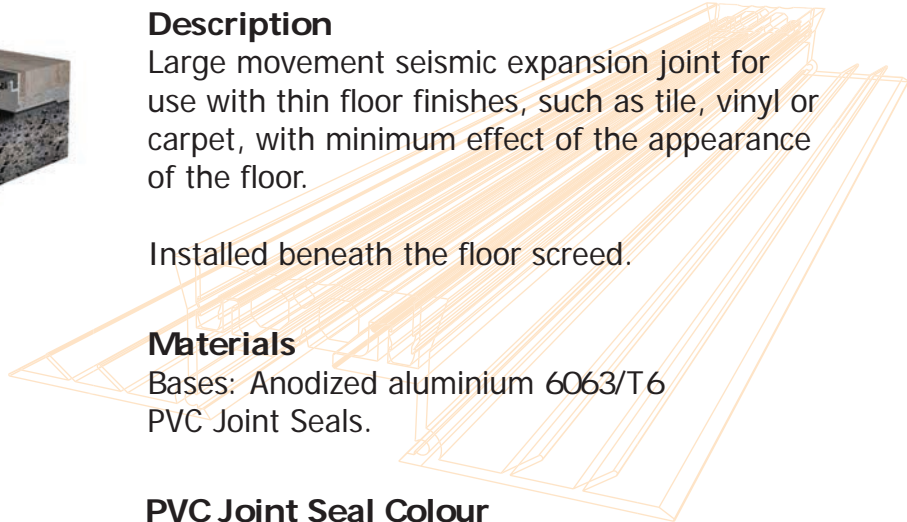
(Other colors available subject to 500m minimum order)

Supply Length

Aluminium Profile: 4m

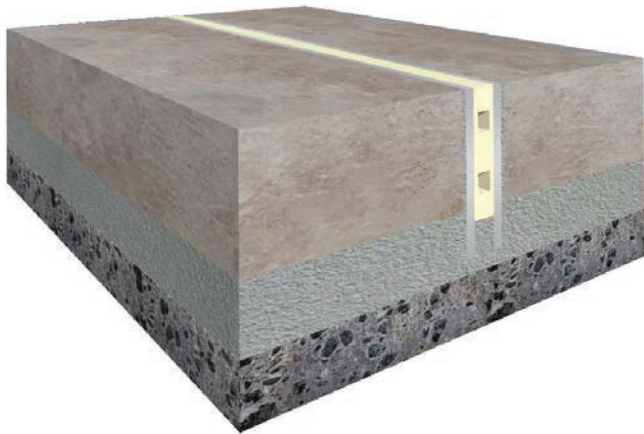
Joint Seals: 20m rolls

Custom lengths can be produced against minimum order.



Type	A	B	C	Total Movement
Flat Profile				
FFJ-BS 20	20	20	30/47	25
FFJ-BS 30	30	20	31	40
FFJ-BS 50	50	20	33	60
FFJ-BS 75	75	30	35	70
FFJ-BS 100	100	50	33	90
FFJ-BS 150	150	75	35	120
FFJ-BS 200	200	75	33	166

Dimensions in mm



Description

Anodized aluminum neoprene construction joint for use with tiles and stone.

Installed when floor finish is being laid.

Materials

Bases: Anodized aluminium 6063/T6
(Stainless Steel or Brass available upon request).

Santoprene or Neoprene joint strip. (EPDM)

Joint Strip Colour



Black

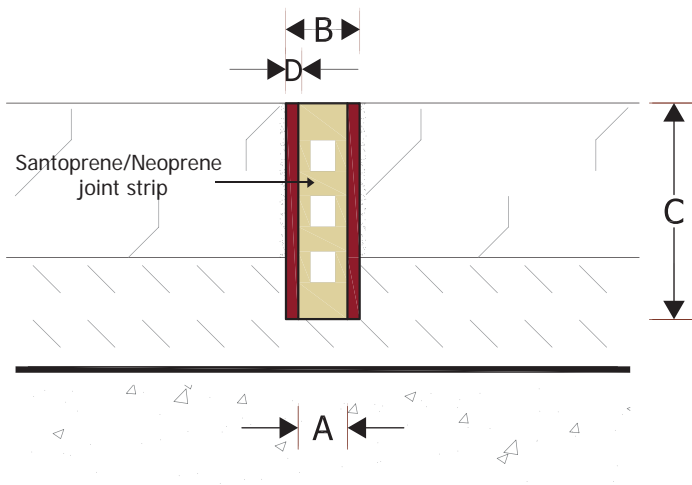


Beige



Grey

(Other colors available subject to 500m minimum order)

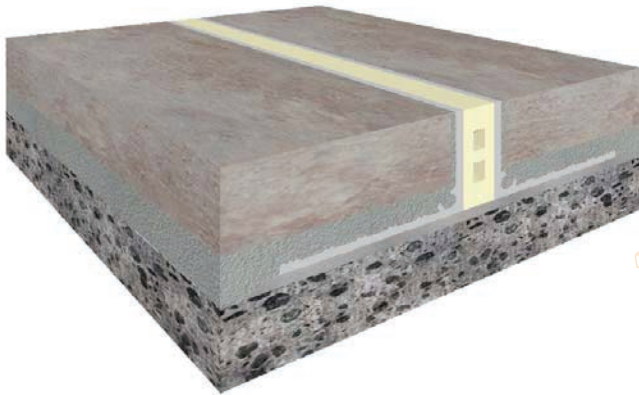


CJ1

Type	A	B	C	D	Total Movement
CJ1 14/5	5	9	14	2	±2
CJ1 14/8	8	12	14	2	±2
CJ1 20/5	5	9	20	2	±2
CJ1 20/8	8	12	20	2	±2
CJ1 30/8	8	12	30	2	±2
CJ1 40/8	8	12	40	2	±2
CJ1 50/8	8	12	50	2	±2
CJ1 50/10	10	14	50	2	±2
CJ1 75/8	8	12	75	2	±2
CJ1 80/10	10	14	80	2	±2

Custom size can be produced upon request

Dimensions in mm



Description

Anodized aluminum construction joint for use with tiles and stone.

Installed beneath the screed

Materials

Bases: Anodized aluminium 6063/T6
Santoprene & Neoprene joint strip (EPDM)

Joint Strip Colour

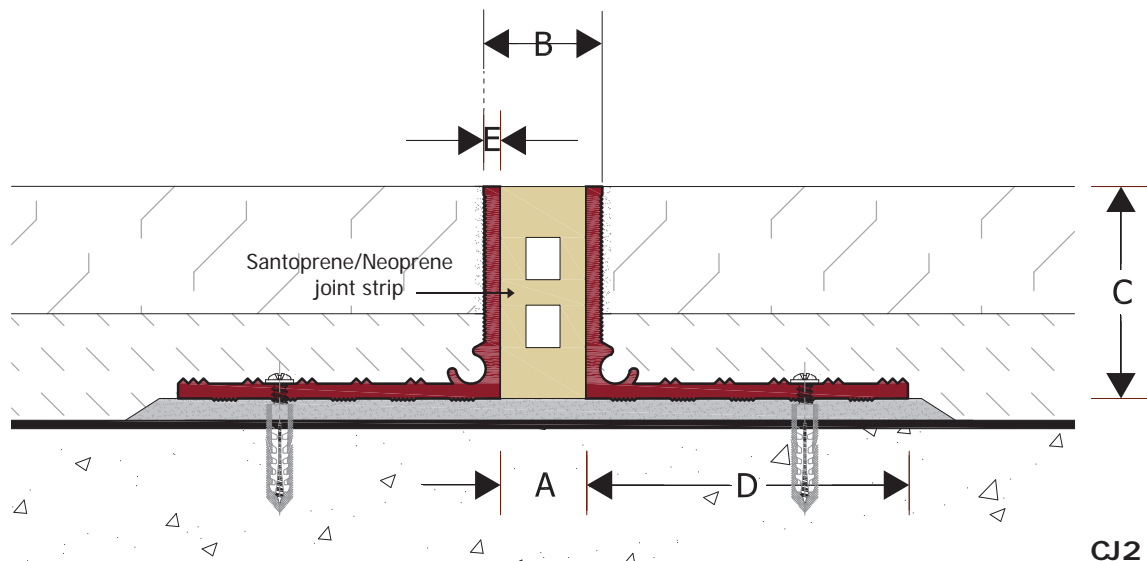


Black

Beige

Grey

(Other colors available subject to 500m minimum order)



CJ2

Type	A	B	C	D	E	Total Movement
CJ2 14/5	5	9	14	25	2	-4 + 2
CJ2 14/8	8	12	14	25	2	-4 + 2
CJ2 25/8	8	12	25	25	2	-4 + 2
CJ2 32/8	8	12	32	50	2	-4 + 2
CJ2 42/8	8	12	42	50	2	-4 + 2
CJ2 50/8	8	12	50	50	2	-4 + 2
CJ2 75/8	8	12	75	50	2	-4 + 2

Custom sizes can be produced upon request

Dimensions in mm



Description

Stainless steel neoprene construction joint for use with tiles and stone.

Installed when floor finish is being laid.

Materials

- Stainless steel strip 304 or 316 (Anodized aluminium 6063/T6 and brass available upon request).
- Santoprene or Neoprene joint strip
- X-Seal JointBoard P60 (Refer to Product Datasheet)
- Nelson Stud Grade 304 Size: M6x30mm

Joint Strip Colour



Black

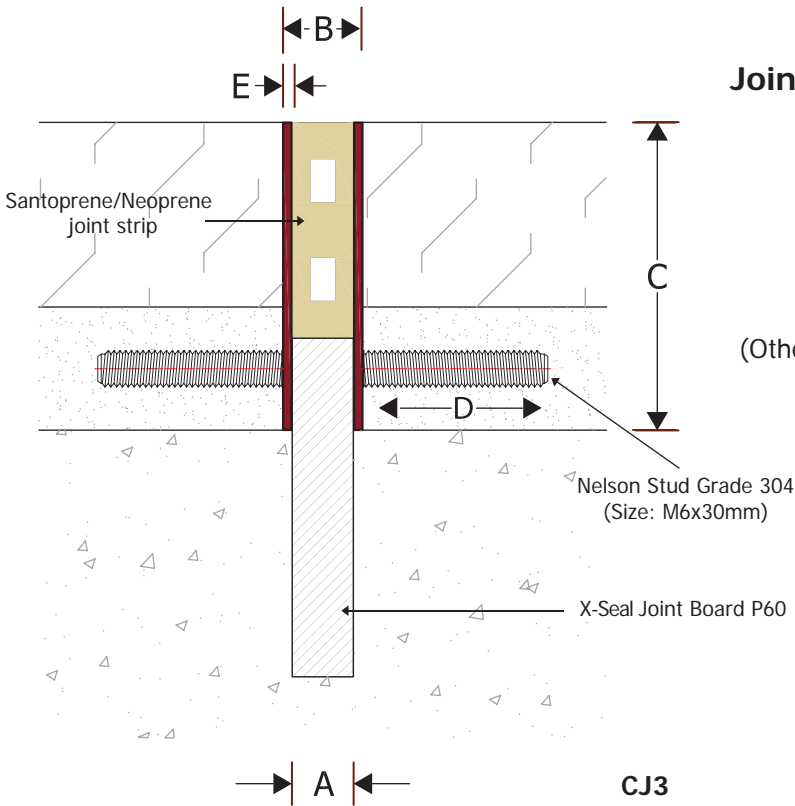


Beige



Grey

(Other colors available subject to 500m minimum order)



CJ3

Type	A	B	C	D	E	Total Movement
CJ3 40/10	10	13	40	30	1.5	±2
CJ3 50/10	10	13	50	30	1.5	±2
CJ3 60/10	10	13	60	30	1.5	±2
CJ3 80/10	10	13	80	40	1.5	±2
CJ3 100/10	10	13	100	40	1.5	±2

Custom sizes can be produced upon request

Dimensions in mm



Description

Anodized aluminum polyurethane/polyethylene construction joint for use with tiles and stone. Accepts higher movement than neoprene.

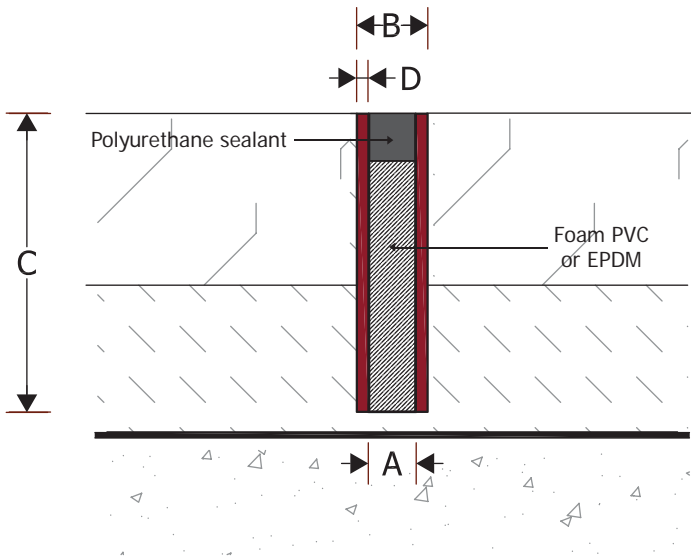
Installed when floor finish is being laid.

Materials

- Anodized aluminium 6063/T6 (Stainless steel and brass available upon request).
- One component polyurethane sealant
- Foam PVC or EPDM (sub-layer)

Supply Lengths

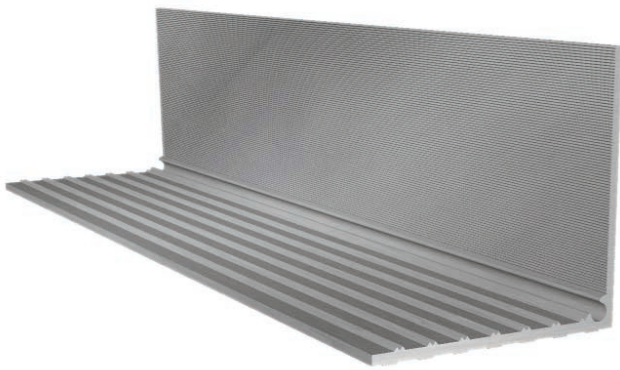
3m, custom size can be produced upon request



Type	A	B	C	D	Total Movement
CJ4 20/6	6	10	20	2	±2
CJ4 30/6	6	10	30	2	±2
CJ4 40/6	6	10	40	2	±2
CJ4 50/6	6	10	50	2	±2
CJ4 75/6	6	10	75	2	±2
CJ4 80/6	6	10	80	2	±2

Custom sizes can be produced upon request

Dimensions in mm



Description

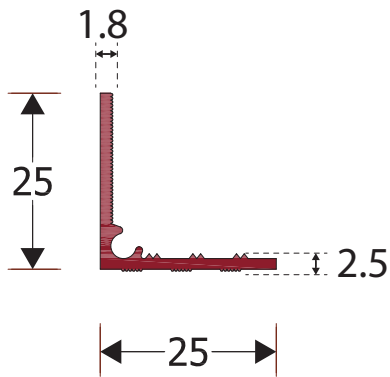
Extruded anodized aluminium joint separators for screed and floor finishes.

Materials

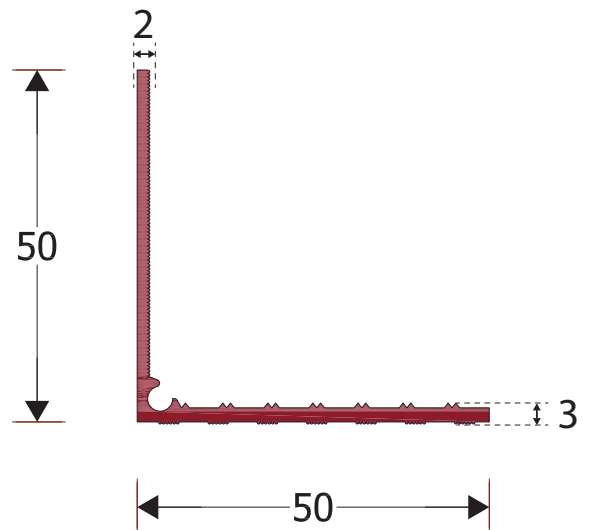
Anodized aluminium 6063/T6

Supply Lengths

3m or 6m, can be cut to exact installation length prior to delivery.



AJS 25



AJS 50



Description

Extruded aluminum joint covers used to cover exterior and interior joints on finished walls and ceilings.

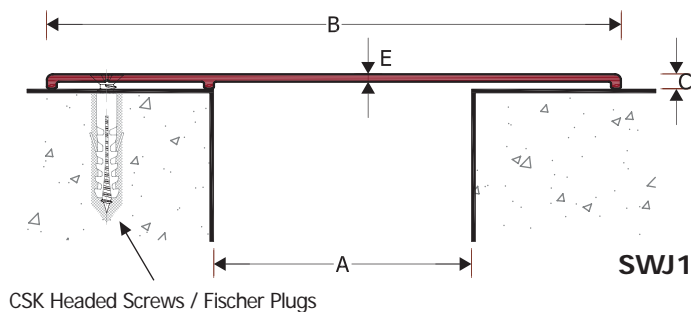
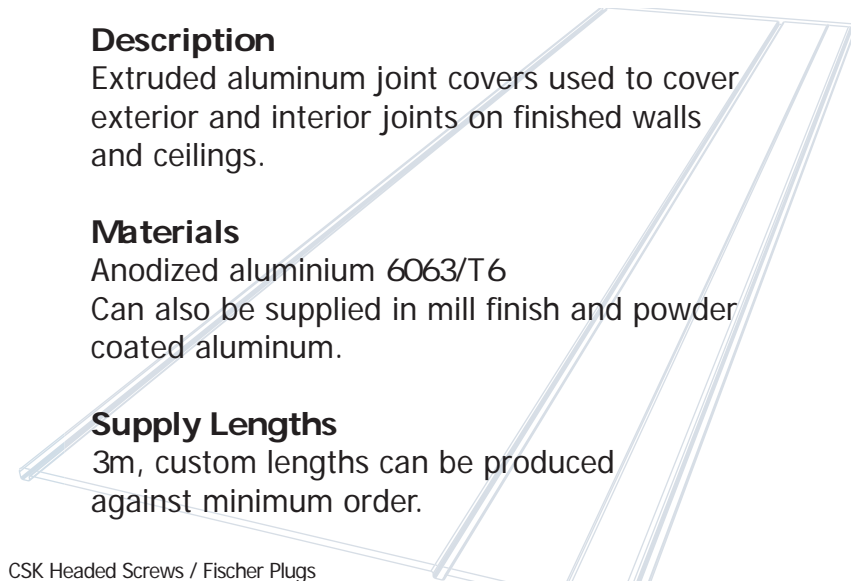
Materials

Anodized aluminium 6063/T6

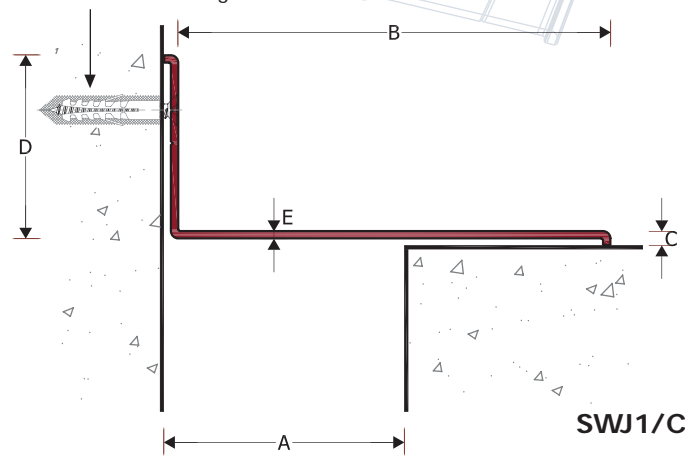
Can also be supplied in mill finish and powder coated aluminum.

Supply Lengths

3m, custom lengths can be produced against minimum order.



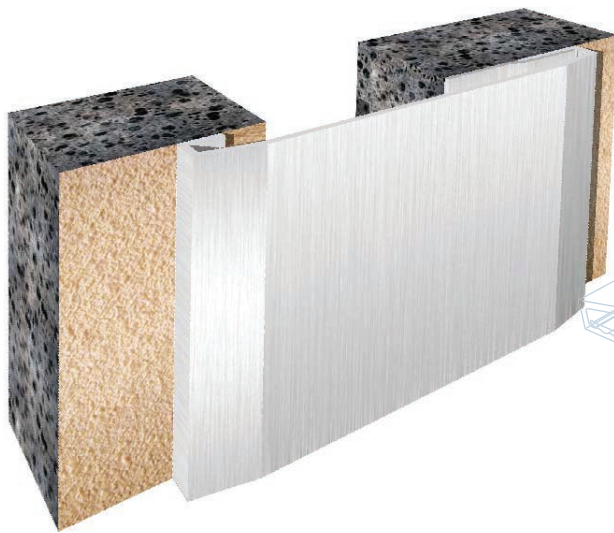
SWJ1



SWJ1/C

Type	A	B	C	D	E
Flat Profile					
SWJ1 110/40	20-40	110	3.5	3.5	1.7
SWJ1 120/70	45-60	117	3.5	3.5	1.7
SWJ1 145/100	65-80	145	5.0	5.0	1.7
SWJ1 185/140	85-100	185	6.0	6.0	2.5
SWJ1 260/180	100-150	260	6.0	6.0	3.5
SWJ1 325/200	155-200	325	6.0	6.0	3.8
Corner Profile					
SWJ1/C 70	50	67	3.5	50	1.5
SWJ1/C 120	100	117	3.8	50	2.0
SWJ1/C 145	120	137	6.0	50	3.5
SWJ1/C 185	150	167	5.0	50	3.0

*Can be used in horizontal applications subject to pedestrian loads.



Description

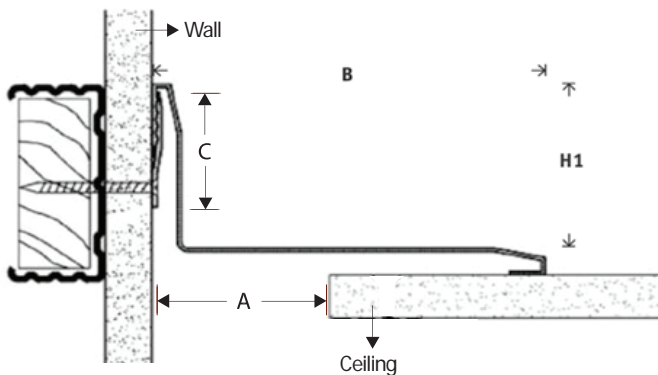
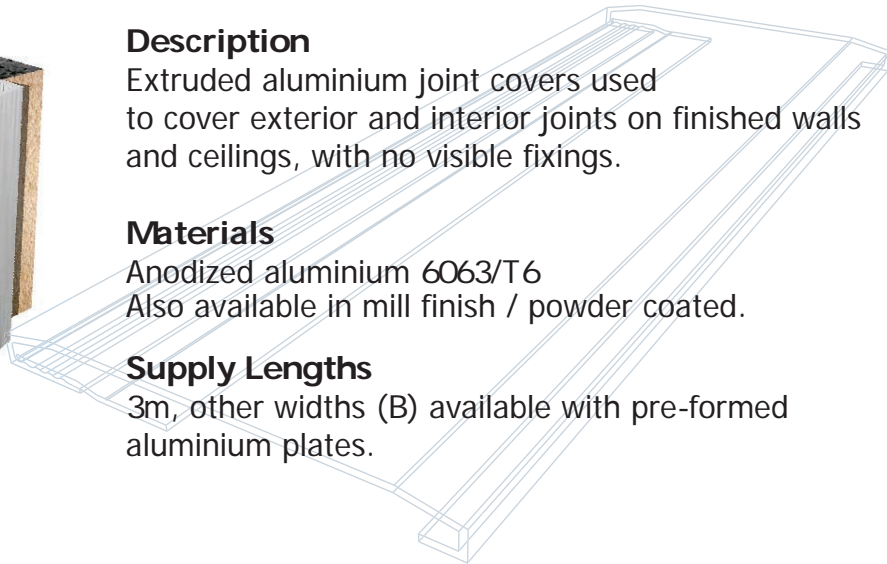
Extruded aluminium joint covers used to cover exterior and interior joints on finished walls and ceilings, with no visible fixings.

Materials

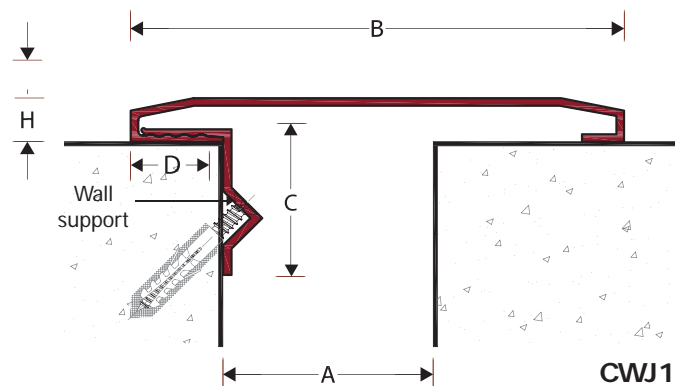
Anodized aluminium 6063/T6
Also available in mill finish / powder coated.

Supply Lengths

3m, other widths (B) available with pre-formed aluminium plates.



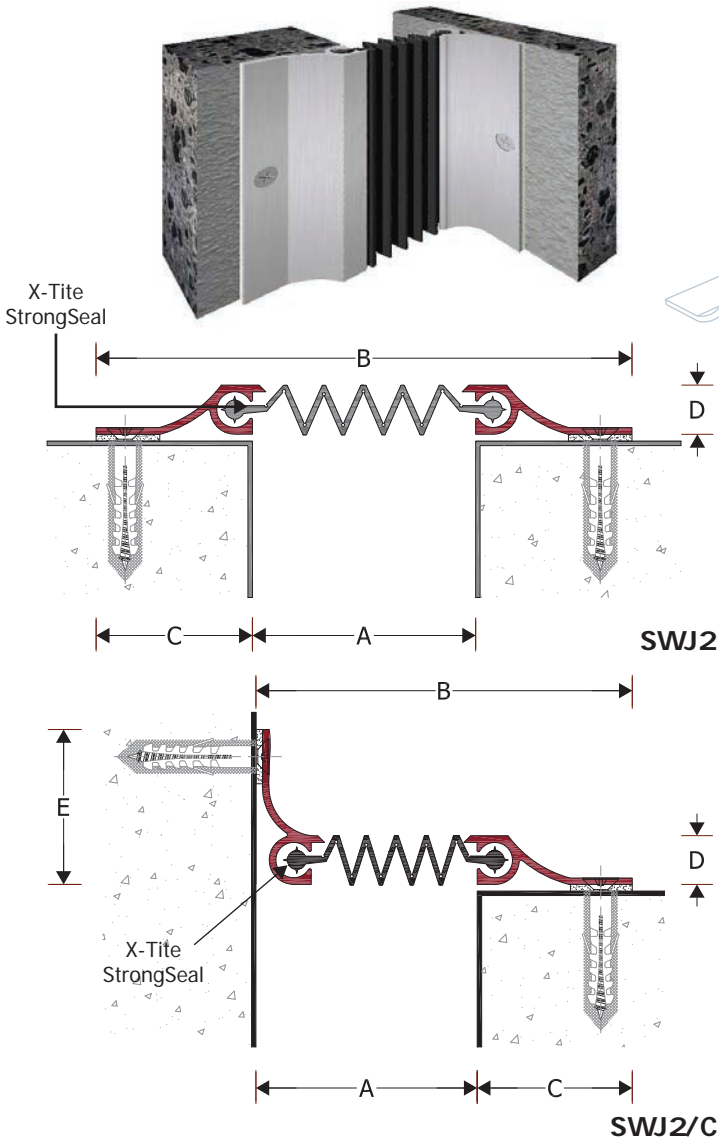
CWJ1/C
wall corner/ceiling corner support



CWJ1
with wall/ceiling support

Type	A	B	C	D	H	H1	Movement
Flat Profile							
CWJ1 50	50	117	35	22	10.5	-	84 (+ 43 -41)
CWJ1 75	75	117	35	22	10.5	-	84 (+ 18 -66)
CWJ1 100	100	167	35	22	10.5	-	134 (+ 43 -91)
CWJ1 125	125	219	35	22	10.5	-	186 (+ 70 -116)
CWJ1 150	150	219	35	22	10.5	-	186 (+ 45 -141)
Corner Profile							
CWJ1/C 50	50	95	45		10.5	50	95 (-50 + 45)
CWJ1/C 75	75	95	45		10.5	50	95 (-75 + 20)
CWJ1/C 100	100	160	45		10.5	50	160 (-100 + 60)
CWJ1/C 125	125	205	45		10.5	50	205 (-125 + 80)
CWJ1/C 150	150	205	45		10.5	50	205 (-150 + 55)

Dimensions in mm



Description

High movement capacity anodized aluminum/PVC weather seal expansion joint for use in walls and ceilings in internal and external applications.

Materials

Base: Anodized aluminium 6063/T6
Special PVC joint seals resistant to sunlight

Supply Lengths

Aluminium Profile: 3m
PVC Joint Seals: 50m
Custom lengths can be produced to order.

PVC Joint Seals Colour



Black



Beige



Grey

(Other colors available subject to 500m minimum order)

Type	A	B	C	D	E	Total Movement*
Flat Profile						
SWJ2 25	25	95	35	11	-	55
SWJ2 50	50	120	35	11	-	100
SWJ2 75	75	145	35	11	-	150
SWJ2 100	100	170	35	11	-	200
SWJ2 125	125	195	35	11	-	250
SWJ2 150	150	220	35	11	-	300
Corner Profile						
SWJ2/C 25	25	60	35	11	35	55
SWJ2/C 50	50	85	35	11	35	100
SWJ2/C 75	75	110	35	11	35	150
SWJ2/C 100	100	135	35	11	35	200
SWJ2/C 125	125	160	35	11	35	250
SWJ2/C 150	150	185	35	11	35	300

*Movements do not take into consideration PVC elongation at break (ISO R 527)

Dimensions in mm



Description

Anodised aluminum expansion joint with integrated weather seal for use in wall and ceilings.

Installed beneath the plaster or wall board to provide a flush finish with no visible fixings.

Materials

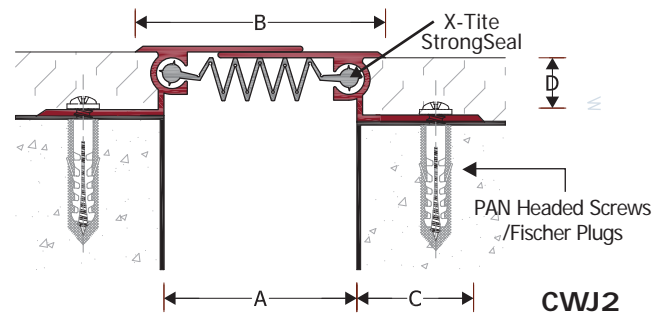
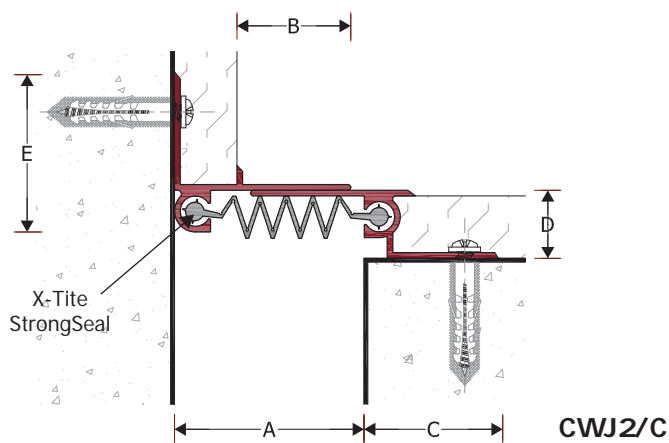
Anodized aluminium 6063/T6 in neutral color. Special PVC joint seals, resistant to sunlight.

Supply Lengths

Aluminium Profile: 3m

PVC Joint Seals: 50m

Custom lengths can be produced to order.



Type	A	B	C	D	E	Total Movement*
Flat Profile						
CWJ2 25	25	43	30	18	-	50
CWJ2 50	50	64	30	18	-	60
CWJ2 75	75	90	30	18	-	95
CWJ2 100	100	114	30	18	-	152
CWJ2 125	125	140	30	18	-	185
CWJ2 150	150	165	30	18	-	170
Corner Profile						
CWJ2/C 25	25	30	30	18	41	50
CWJ2/C 50	50	47	30	18	41	60
CWJ2/C 75	75	66	30	18	41	95
CWJ2/C 100	100	91	30	18	41	152
CWJ2/C 125	125	116	30	18	41	185
CWJ2/C 150	150	145	30	18	41	170

*Movements do not take into consideration PVC elongation at break (ISO R 527)

Dimensions in mm



Description

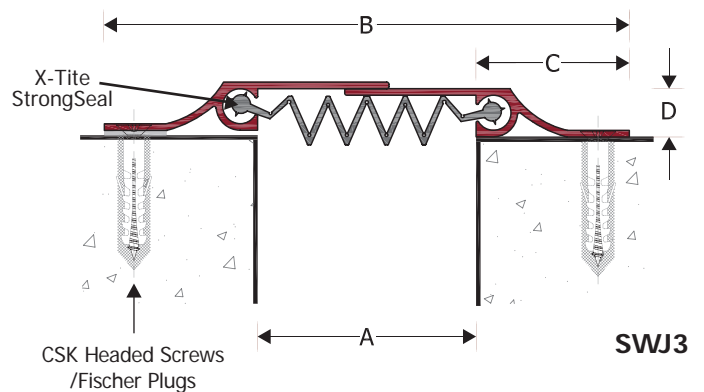
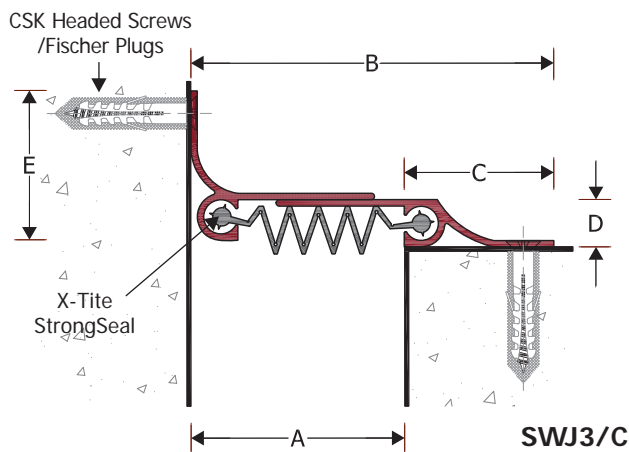
Anodised aluminum expansion joint with integrated weather seal for use in wall and ceilings. Fixed directly on to the finished wall surface.

Materials

Anodized aluminium 6063/T6
PVC Joint Seals

Supply Lengths

Aluminium Profile: 3m
PVC Joint Seals: 50m
Custom lengths can be produced to order.



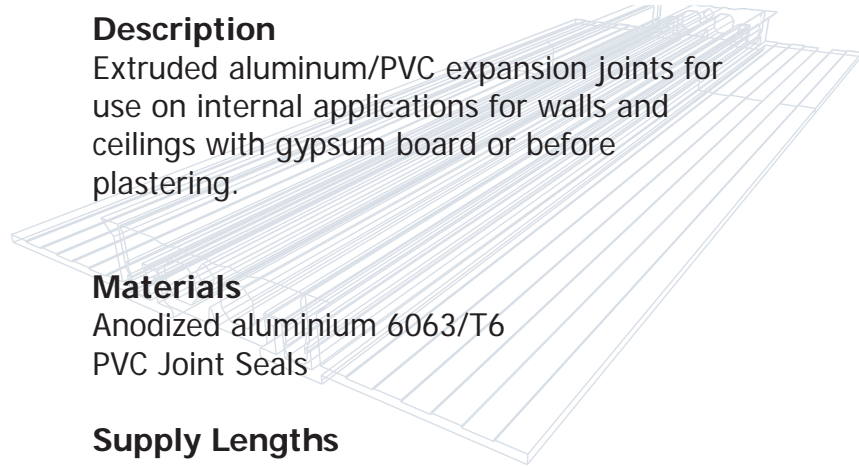
Type	A	B	C	D	E	Total Movement*
Flat Profile						
SWJ3 25	25	95	35	11	-	50
SWJ3 50	50	120	35	11	-	60
SWJ3 75	75	145	35	11	-	95
SWJ3 100	100	170	35	11	-	152
SWJ3 125	125	195	35	11	-	185
SWJ3 150	150	220	35	11	-	170
Corner Profile						
SWJ3/C 25	25	60	35	11	35	50
SWJ3/C 50	50	85	35	11	35	60
SWJ3/C 75	75	110	35	11	35	95
SWJ3/C 100	100	135	35	11	35	152
SWJ3/C 125	125	160	35	11	35	185
SWJ3/C 150	150	185	35	11	35	170

*Movements do not take into consideration PVC elongation at break (ISO R 527)

Dimensions in mm

CWJ3

Dry Walls, Installation Under Plaster



Description

Extruded aluminum/PVC expansion joints for use on internal applications for walls and ceilings with gypsum board or before plastering.

Materials

Anodized aluminium 6063/T6
PVC Joint Seals

Supply Lengths

Aluminium Profile: 4m
Joint Seals 25m
Custom lengths can be produced to order.

PVC Joint Seals Colour



Black

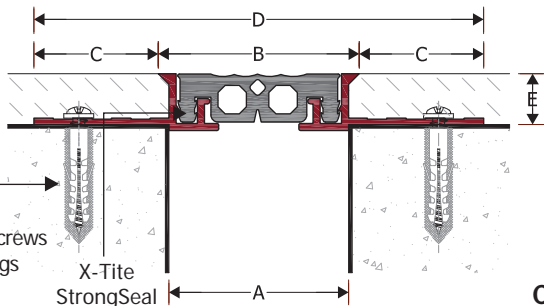


Beige

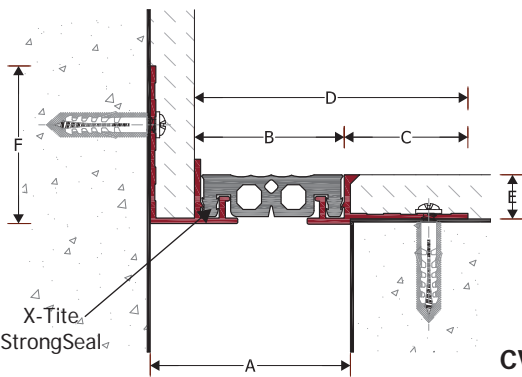


Grey

(Other colors available subject to 500m minimum order)



CWJ3

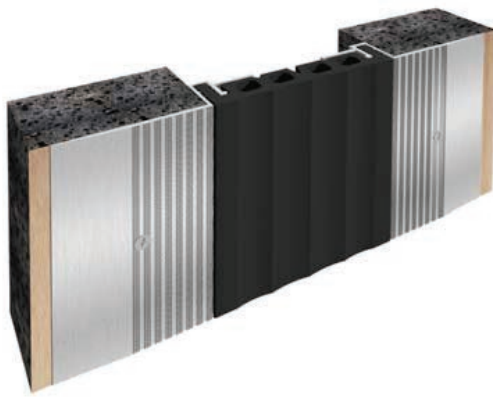


CWJ3/C

Type	A	B	C	D	E	Total Movement*
Flat Profile						
CWJ3 20	20	25	37	99	10	15
CWJ3 30	30	35	37	110	13	20
CWJ3 50	50	56	35	126	13	30
CWJ3 75	75	84	35	154	13	36
CWJ3 100	100	111	32	175	13	34
CWJ3 125	125	140	35	210	13	64
CWJ3 150	150	165	35	235	13	90
Corner Profile						
CWJ3/C 20	20	22	37	59	10	15
CWJ3/C 30	30	32	37	68	13	20
CWJ3/C 50	50	53	35	88	13	30
CWJ3/C 75	75	78	35	113	13	36
CWJ3/C 100	100	105	32	136	13	34
CWJ3/C 125	125	130	35	165	13	64
CWJ3/C 150	150	155	35	190	13	90

*Movements do not take into consideration PVC elongation at break (ISO R 527)

Dimensions in mm

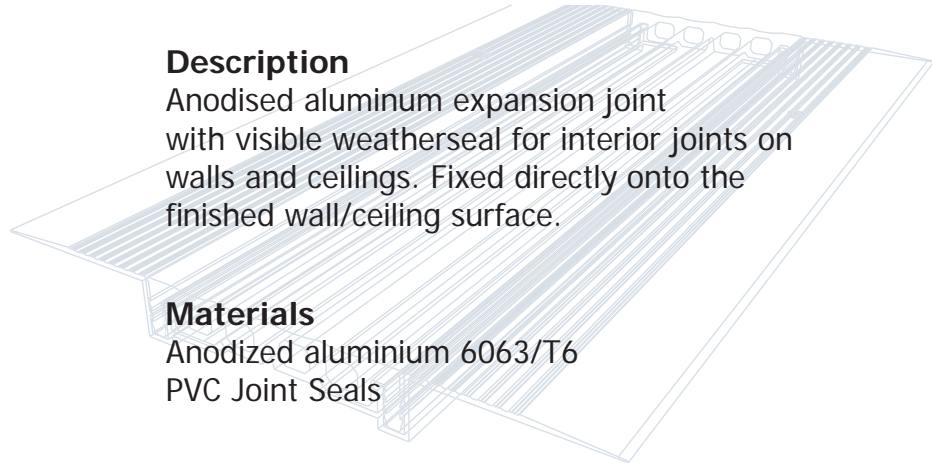


Description

Anodised aluminum expansion joint with visible weatherseal for interior joints on walls and ceilings. Fixed directly onto the finished wall/ceiling surface.

Materials

Anodized aluminium 6063/T6
PVC Joint Seals

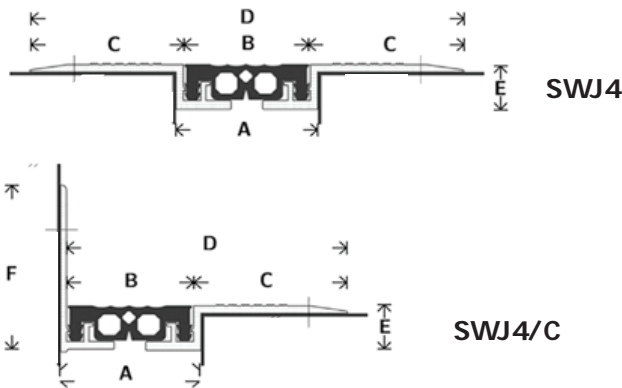


Supply Lengths

Aluminium Profile: 4m

Joint Seals: 25m

Custom lengths can be produced to order.



PVC Joint Seal Colour



Black



Beige



Grey

(Other colors available subject to 500m minimum order)

Type	A	B	C	D	E	F	Total Movement*
Flat Profile							
SWJ4 20	20	15	38	91	16	-	12
SWJ4 30	30	26	43	112	16	-	20
SWJ4 50	50	46	55	156	17	-	30
SWJ4 75	75	69	58	185	30	-	36
SWJ4 100	100	96	65	226	33	-	34
SWJ4 125	125	115	75	265	33	-	64
SWJ4 150	150	140	75	290	33	-	90
Corner Profile							
SWJ4/C 20	20	18	38	56	16	37	12
SWJ4/C 30	30	26	43	69	16	63	20
SWJ4/C 50	50	46	55	101	17	69	30
SWJ4/C 75	75	65	58	123	30	68	36
SWJ4/C 100	100	96	65	161	33	87	34
SWJ4/C 125	125	116	55	171	17	69	64
SWJ4/C 150	150	141	55	196	17	69	90

*Movements do not take into consideration PVC elongation at break (ISO R 527)

Dimensions in mm



Description

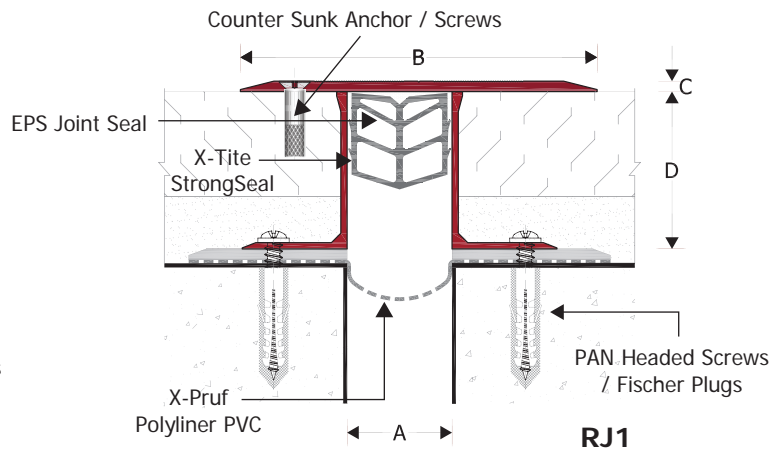
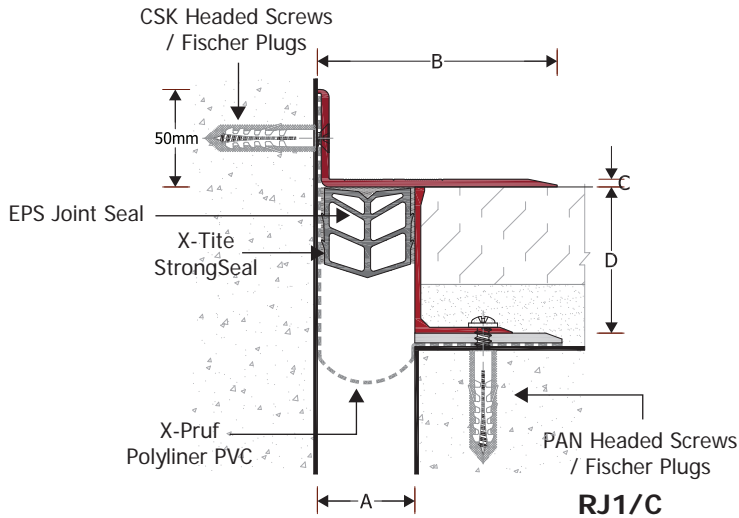
Fully waterproof joint system for roof joints 10mm to 100mm wide used to cover and seal joints in accesible roofs.

Materials

Cover plate: Anodized aluminium grade 6063/T6 (Stainless steel AISI 304 or 316 are also available upon request).
Joint Seals: UV Resistant PVC

Supply Lengths

Aluminium: 4m
Joint Seals: 20m roll
Custom lengths can be produced to order.



Type	A	B	C	D	Total Movement*
Flat Profile					
RJ1 10/15	10-15	117	5	33/45/75	20
RJ1 15/20	15-20	117	5	33/45/75	30
RJ1 20/30	20-30	117	5	33/45/75	40
RJ1 30/40	30-40	117	5	33/45/75	50
RJ1 40/50	40-50	170	5	33/45/75	65
RJ1 50/80	50-80	170	5	33/45/75	100
RJ1 80/100	80-100	170	5	33/45/75	120
Corner Profile					
RJ1/C 10/15	10-15	67	4	33/45/75	20
RJ1/C 15/20	15-20	67	4	33/45/75	30
RJ1/C 20/30	20-30	67	4	33/45/75	40
RJ1/C 30/40	30-40	67	4	33/45/75	50
RJ1/C 40/50	40-50	67	4	33/45/75	65
RJ1/C 50/80	50-80	120	4	33/45/75	100
RJ1/C 80/100	80-100	120	4	33/45/75	120

*Movements depend on the cover plate width

Dimensions in mm



Description

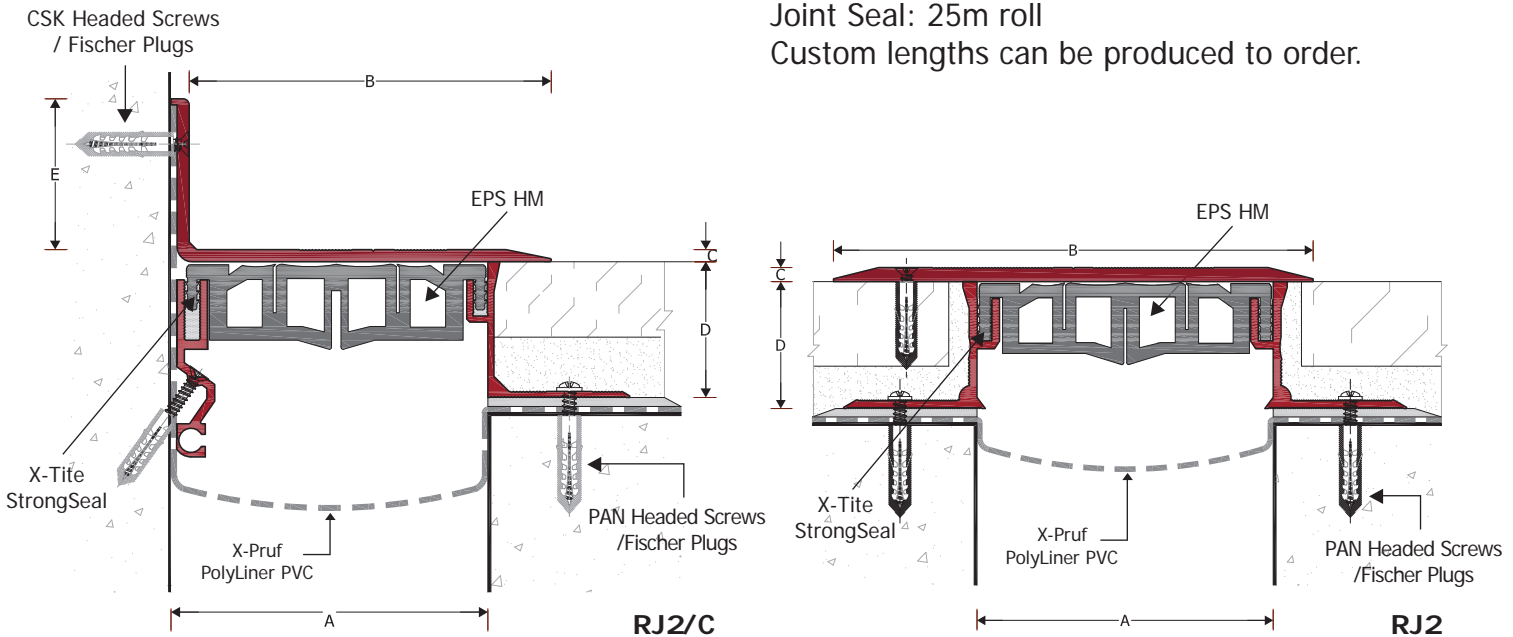
High movement (seismic) anodised aluminium/PVC wall joint for use with a wall finish up to 16mm thick. Joint must be fixed onto a concrete or masonry substrate.

Materials

Cover plate: Anodized aluminium 6063/T6
 Joint support: White aluminium (Powder coated RAL 9006)
 Joint Seals: UV Resistant PVC

Supply Lengths

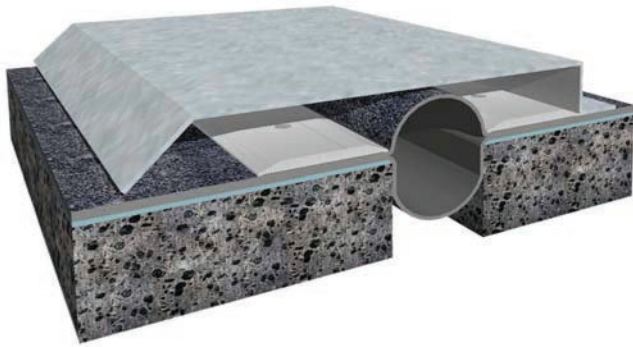
Aluminium Profile: 4m
 Joint Seal: 25m roll
 Custom lengths can be produced to order.



Type	A	B	C	D	E	Total Movement*
Flat Profile						
RJ2 50	50	117	4	45	-	70
RJ2 100	100	170	4	45	-	125
RJ2 150	150	219	4	45	-	180
RJ2 200	200	250	4	45	-	230
Corner Profile						
RJ2/C 50	50	70	4	45	50	60
RJ2/C 100	100	120	4	45	50	120
RJ2/C 150	150	169	4	45	50	200
RJ2/C 200	200	170	4	45	50	320

*Movements depend on the cover plate width

Dimensions in mm



Description

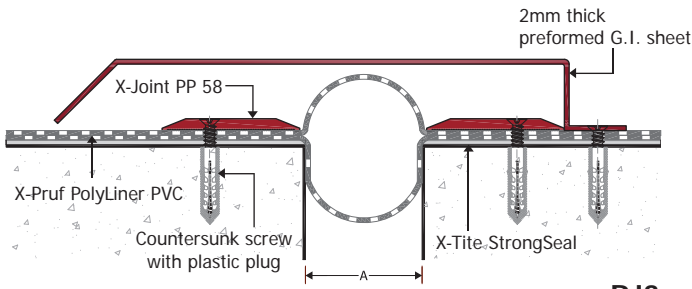
High movement (seismic) anodised aluminium/PVC wall joint for use with a wall finish up to 16mm thick. Joint must be fixed on to a concrete or masonry substrate.

Materials

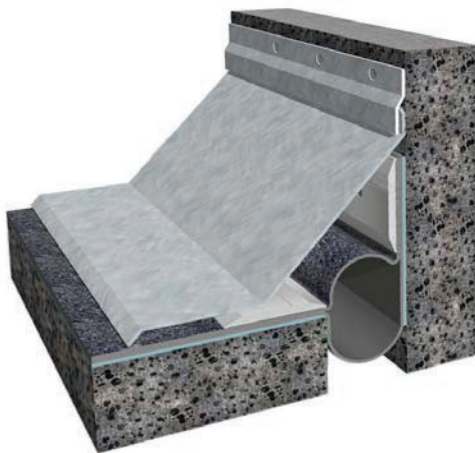
- Joint plate: 2mm thick preformed galvanized sheet
- Fixing strip: Mill finish aluminium
- Waterproofing membrane: X-Pruf Polyliner PVC

Supply Lengths

- Joint plate: 2.44m
- Fixing strip: 3m
- Membrane: 25m
- Custom lengths can be produced to order.

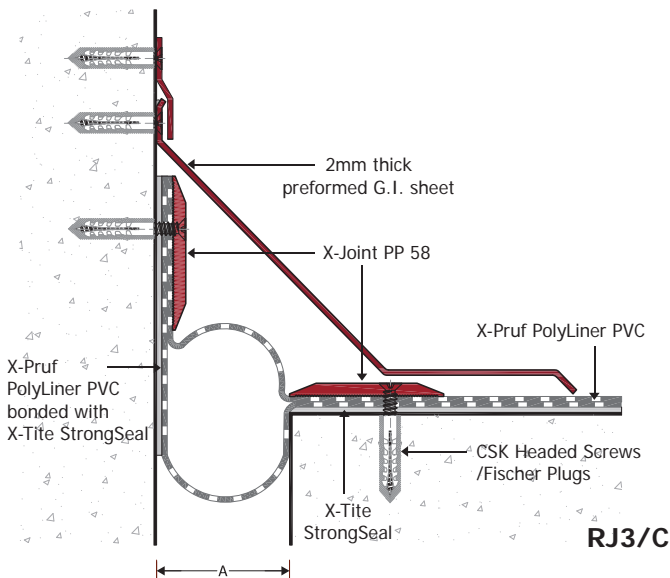


RJ3

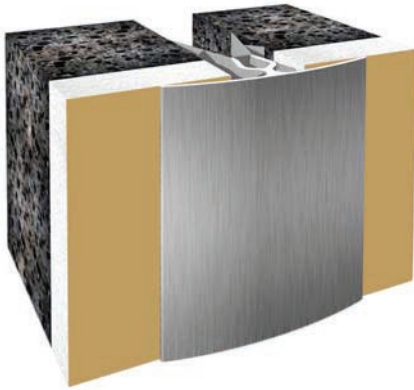


Type	A	Total Movement
Flat Profile		
RJ3 50	50	50
RJ3 100	100	100
RJ3 150	150	150
RJ3 200	200	200
Corner Profile		
RJ3/C 50	50	50
RJ3/C 100	100	100
RJ3/C 150	150	150
RJ3/C 200	200	200

Dimensions in mm



RJ3/C



Description

Range of extruded aluminum joint covers that are suitable for use in a wide range of internal and external applications in commercial, institutional and industrial buildings. While aesthetically pleasing they are particularly useful for protection of elastomeric joint sealants and fire barriers.

Materials

Anodized aluminium 6063/T6 or mill finish aluminium.

Polished finish and powder coated profiles can be provided in a wide range of colors.

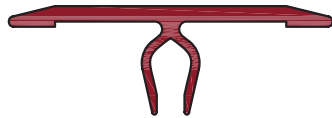
Supply Lengths

3m or 6m lengths
Custom lengths can be produced to order.

Floor Profiles

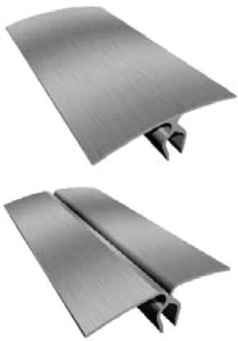


F45C and F55C



F55F and F70F

Wall Profiles

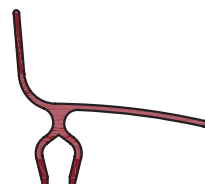


W70C



W55G

Corner Profile

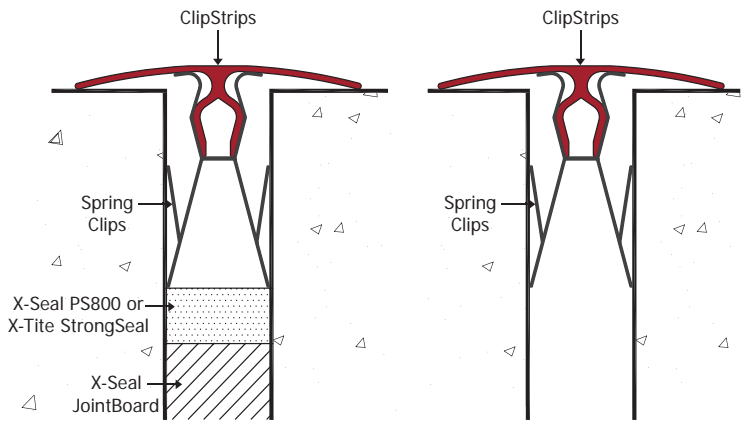


C50

Spring Clips

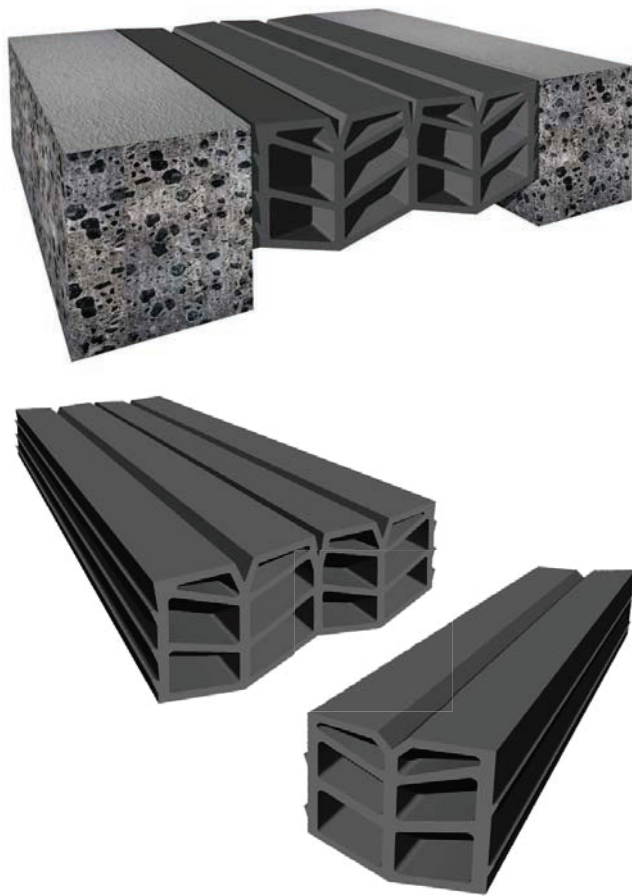


SS40 and SS60



Profile Type	Profile Width	Joint Width
Floor Profiles		
F45C	45	15 to 20
F55C	55	20 to 35
F55F	55	20 to 35
F70F	70	30 to 45
Wall Profiles		
W55G	55	20 to 35
W70C	70	15 to 50
Corner Profiles		
C50	53	15 to 50
Spring Clips		
SS40	40	20 to 30
SS60	60	30 to 50

Dimensions in mm



Description

Seismic waterproofing expansion joint seals for use in mechanical expansion joints

Materials

Special PVC resistant to sunlight

Joint Seal Colour

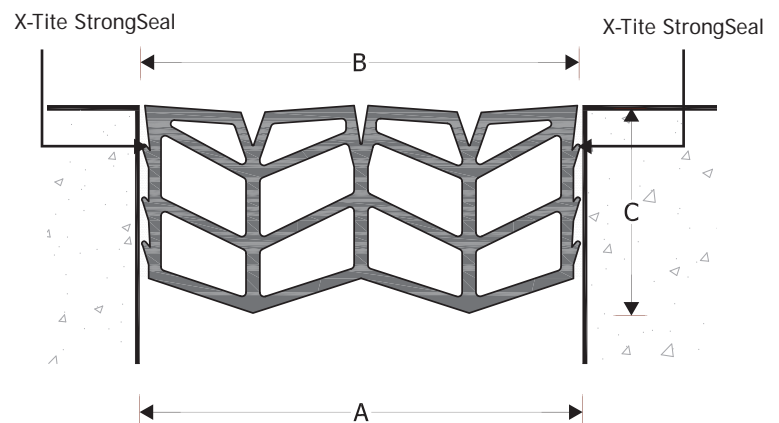
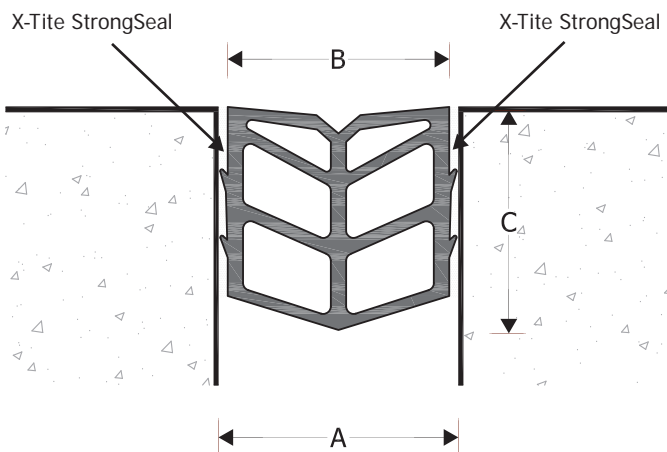


Black

Beige

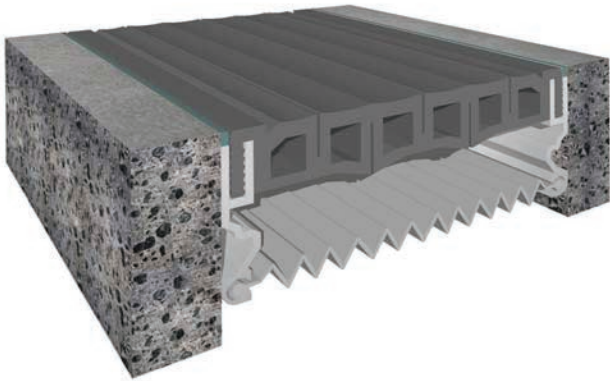
Grey

(Other colours available subject to 500m minimum order)



Type	A	B	C	Total Movement
EPS 20/20	10-15	20	20	20
EPS 30/30	15-20	30	30	30
EPS 40/35	20-30	40	35	40
EPS 50/40	30-40	50	40	50
EPS 65/50	40-50	65	50	65
EPS 100/48	50-80	100	48	100
EPS 125/60	80-100	125	60	120

Dimensions in mm



Description

High movement (seismic) waterproofing expansion joints for use in vertical and horizontal applications such as walls and slabs

Materials

Profile: Anodized aluminium 6063/T6 natural finish

Joint Seals: UV resistant PVC or Santoprene

Supply Lengths

Aluminium Profile: 3 or 4m

Joint Seals: 25m roll

Custom lengths can be produced to order.

Colour



Black

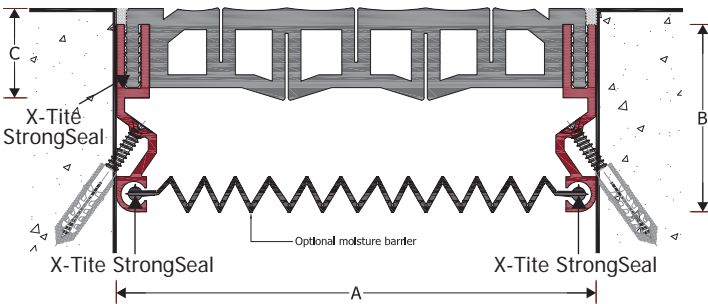


Beige



Grey

(Other colors available subject to 500m minimum order)



EPS HM 50



EPS HM 100



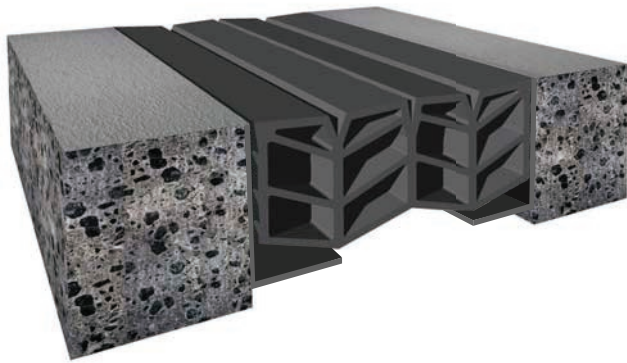
EPS HM 150



EPS HM 200

Type	A	B	C	Total Movement
EPS HM 50	50	58	25	50
EPS HM 100	100	58	25	100
EPS HM 150	150	58	25	150
EPS HM 200	200	58	25	200

Dimensions in mm



Description

Pre-formed heavy duty joint seal for use in mechanical expansion joints

Materials

Profile: Anodized aluminium 6063/T6 natural finish

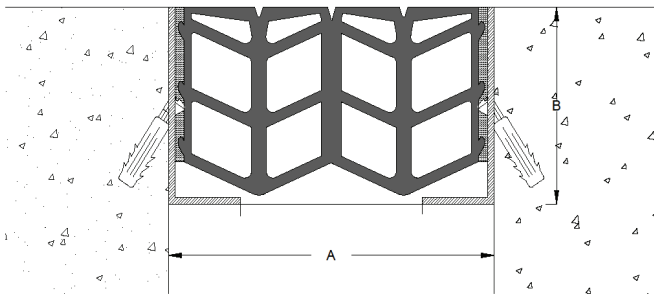
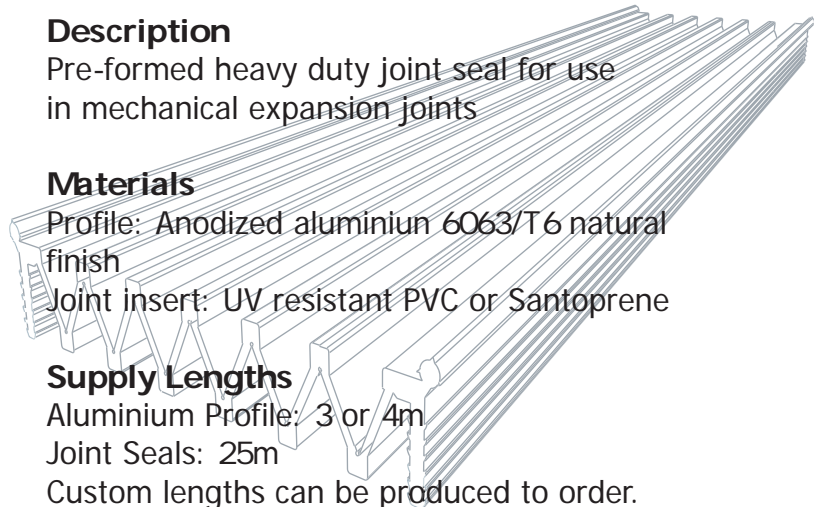
Joint insert: UV resistant PVC or Santoprene

Supply Lengths

Aluminium Profile: 3 or 4m

Joint Seals: 25m

Custom lengths can be produced to order.



Colour



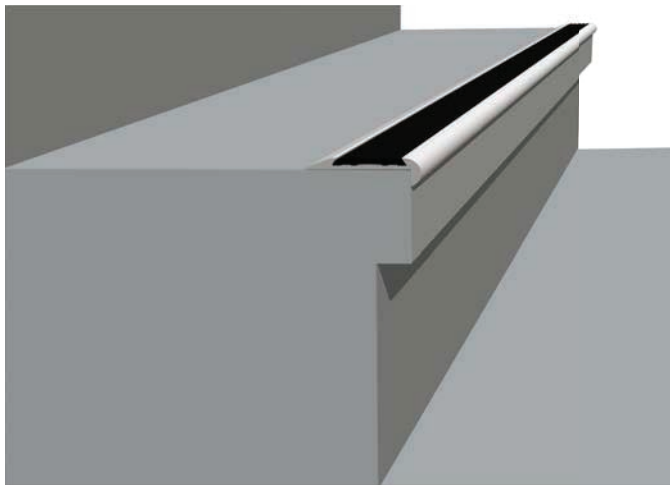
Black



Grey

Type	Joint Widths	A	B	Total Movement (+/-)
EPS-HD 25	10-25	30	20	15
EPS-HD 50	30-50	55	40	25
EPS-HD 75	55-75	82	45	35
EPS-HD 100	80-100	110	50	50
EPS-HD 125	105-125	137	55	60
EPS-HD 150	130-150	165	60	75
EPS-HD 200	155-200	225	60	100

Dimensions in mm



Description

Anodized aluminium stair nosings.

Materials

Anodized aluminium 6063/T6

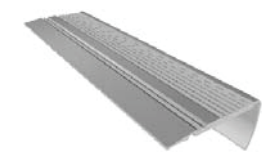
Insert SN45 RS EPDM only

Insert SN45 Carbo™ only: Carbo™ anti-slip grains embedded in epoxy resin.

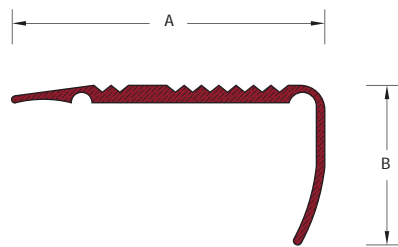
Supply Lengths

3m or 6m lengths

Can be cut to exact installation length prior to delivery.



SN 45 AA1

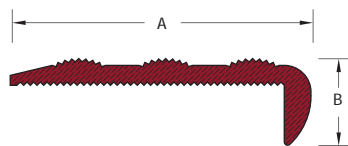


Type	A	B
SN 45 AA/1	45	23
SN 45 AA/2	45	13
SN 45 RS	45	13
SN 45 Carbo™ 1	45	13
SN 45 Carbo™ 2	45	23

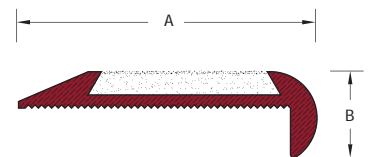
Dimensions in mm



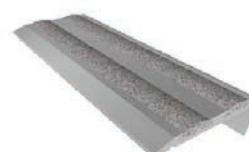
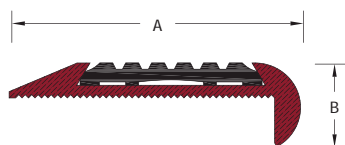
SN 45 AA2



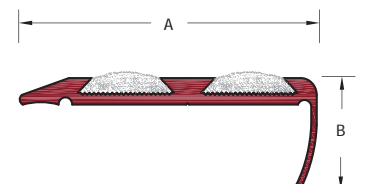
SN 45 Carbo™ 1



SN 45 RS



SN 45 Carbo™ 2





Description

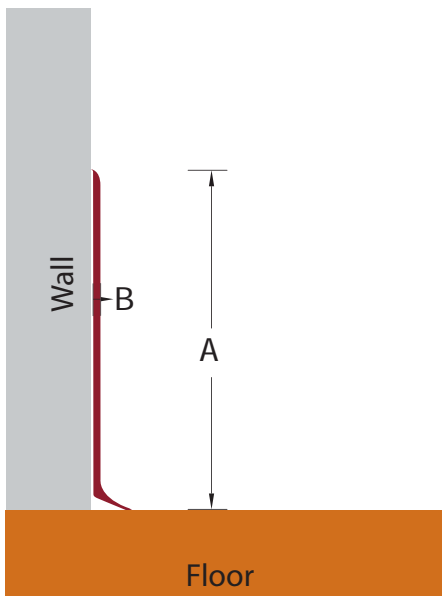
Anodized aluminium floor skirting
 Installed after the completion of floor finish

Materials

Anodized aluminium grade 6063/T6
 Can be in mill finish/powder coated

Supply Lengths

Standard length is 3m. Custom lengths can be produced against our minimum order level.



Type	A	B
Skirting 100	100	1.7
Skirting 150	150	2.5

Dimensions in mm

Selected Projects



SAVICO
Ho Chi Minh
Vietnam

**Singapore Expo Convention
& Exhibition Centre**
Singapore



**New Doha
International Airport**
Doha Qatar



**Oman National
Museum**
Majilis, Oman



Oasis Hospital Development
Al Ain
Abu Dhabi



**Eastern Mangrove
Hotel Apartments**
Abu Dhabi



Selected Projects

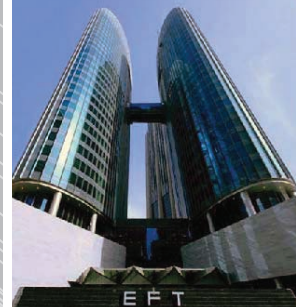


**Yas Island,
Marina Hotel
and F1 Circuit
Abu Dhabi**

**Hamdan Bin Mohammed Bin
Rashid Sports Complex
Dubai**



**Emirates
Financial Towers
Dubai**



**Iranian Hospital
Dubai**



**American School
Dubai**



**SkyCourts
Dubai**



Selected Projects



Silicon Oasis
Dubai

Al Jubail Market
Government of Sharjah
Sharjah



Al Ain Stadium
and
Mixed Use Development
Al Ain



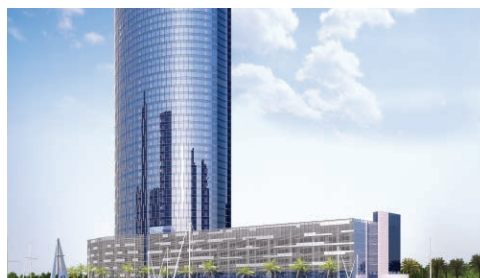
Al Waha Tower
Sharjah



Al Fahidi Market
Bur Dubai



City of Lights
Al Reem Island
Development
Abu Dhabi



X-Calibur Worldwide



- Companies
- Manufacturing
- Distributors
- Export Sales

X-Calibur Construction Systems Inc. (USA)

Phone: (954) 745 6160

Email: usa@x-calibur.us

QED X-Calibur Limited

Phone: (0117) 975 8604

Email: uk@x-calibur.co

X-Calibur International FZC

(Asia, Arabia and Africa Headquarters Export & Franchise Enquiries)

Phone: (+ 971) 6 574 8228

Email: export@x-calibur.us

X-Calibur Emirates

Phone: (+ 971) 065352023

Email: uae@x-calibur.us

X-Calibur Qatar - MKJ Group

(Manufacturing Licensee)

Phone: (+ 974) 44888035

Email: qatar@x-calibur.co

Thoron X-Calibur Ltd (Joint Venture)

(Member of the Thoron Group)

Phone: 02 838 9393

Email: hk@x-calibur.co

X-Calibur International Vietnam Representative Office

Phone: (090) 3977 971

Email: vnsaigon@x-calibur.co

X-Calibur Construction Chemistry (EA) Limited

Phone: (+ 254) 739 911 333

Email: sales@x-calibur.co.ke

TAL X-Calibur (Manufacturing Licensee)

TAL - A Division of Norcross SA (Pty) Ltd

Phone: (011) 206 9700

Email: taltech@norcrossa.com

Website: www.x-calibur.co.za

NCC X-Calibur (Manufacturing Licensee)

Phone: (+ 201) 204 455 995

Email: info@ncc.com.eg

Website: www.ncc.com.eg

Le Chimique de Tunisie (Manufacturing Licensee)

Phone: 71 381 450 / 71 382 929

Email: chimic@chimic.com.tn